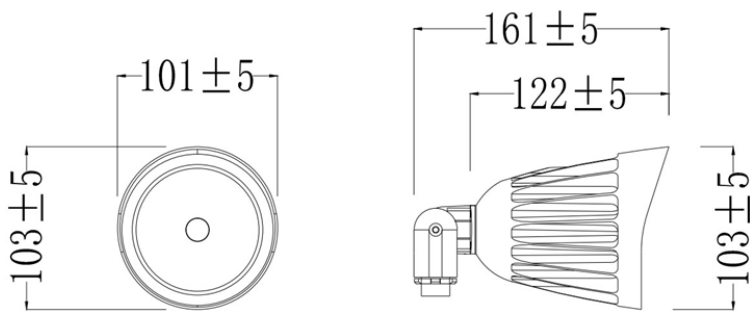




LED Flood Light



DIMENSIONS



Project :

Type :

Part#:

P/N: INS-LFL71-13WBH5DA1-a30/40/50

Note:

INS = Company name

LFL71= Product series, LED Flood Light

13W= Rating Power

B= LED manufacturer, Lumileds 2835

H5= Diffuser light angle type, 5H5V

D=Color Tunable

A1= Version number

"a" can be any two letters to represent lamp colors,

can be BR=Brown, BH=Black, or Customized;

30/40/50=3000K/4000K/5000K

ADVANTAGE

- UL cUL certificate.
- IP65 driver, input voltage 120-277VAC
- No UV or IR in the beam.
- Easy to install and operate.
- Energy saving, long lifespan.
- Light is soft and uniform, safe to eyes.
- Instant start, NO flickering, NO humming.
- Green and eco-friendly without mercury.

APPLICATION

- Outdoor basketball court, tennis court.
- Badminton court, the football field.
- The school playground, stadium.
- Community leisure entertainment plaza,
- Warehouse, factory and workshops;
- Highway toll station;
- Meeting room, exhibition hall;
- Gymnasium and supermarkets, etc. plaza,

LED Flood Light

SPECIFICATIONS

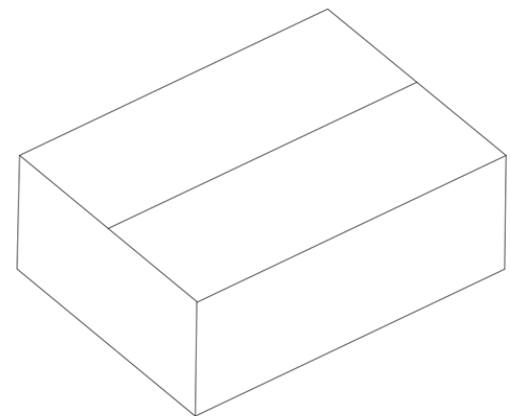
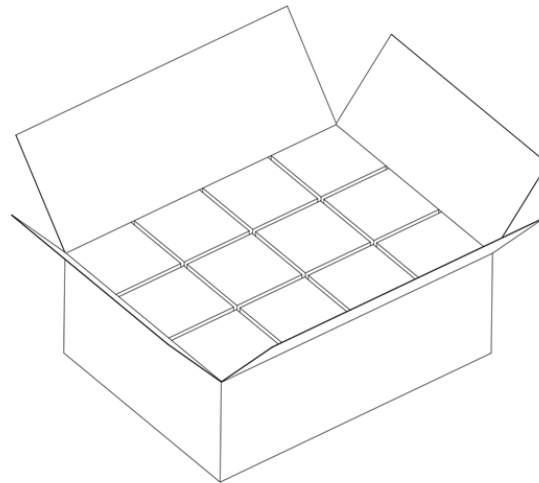
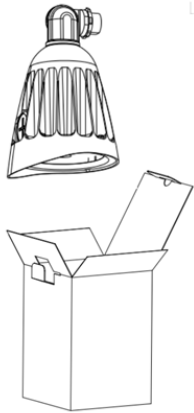
OPTICAL	Input Power (Tolerance : ±10%)	13W		
	Color Temperature☒Color Tunable☒	3000K	4000K	5000K
	Lumen (Tolerance : ±10%)	1690 LM	1885 LM	1820 LM
	Efficacy (Tolerance :±3%)	130LM/W	145LM/W	140 LM/W
	CRI	>80		
	Color Consistency	<7 Steps (or <7 SDCM)		
	BUG	B2-U1-G0		
	Distribution Pattern	5H5V		
	Beam Angle (50%) (Tolerance : ±15%)	42°		
	Beam Angle (10%) (Tolerance : ±15%)	85°		
ELECTRICAL	Input Voltage and Frequency	120-277VAC,50/60Hz		
	PF (Tolerance : -3%)	≥0.9		
	THD (Tolerance : +5%)	≤20%		
	Flicker Percent	<60%		
	Driver Brand	HBE		
	Driver Model	HB-LFL71F013		
	Driver Surge protection	L/N-PE: 4kV, L-N: 4kV		
	Dimming	0-10V dimming standard		
	Optional Accessory	NA		
MATERIALS	LED Brand	Lumileds		
	LED Type	2835		
	LED QTY	84 PCS		
	Housing	Die-cast aluminum		
	Housing Color	Brown, Black, or Customized		
	EPA	0.2ft ²		
OTHERS	Waterproof Rating	WET (IP65)		
	Operating Temperature	-40°C TO 45°C		
	Storage Temperature	-40°C TO 80°C		
	Operating Humidity	20% - 90% RH		
	Storage Humidity	10% - 95% RH		
	Warranty	5 years warranty		

LED Flood Light

PACKAGE

Bracket Type	Carton Size	Qty / Carton	Net Weight / PCS	Gross Weight / Carton
AM	439*333*187mm	12PCS	0.39KG	5.8KG

Tolerance of Carton Size: ± 15 MM, Tolerance of Weight: $\pm 10\%$.



LED Flood Light

LIGHT DISTRIBUTION TESTING PARAMETERS

Luminaire Property

Luminaire Manufacturer:
Voltage: 120.9 V
Power: 12.40 W

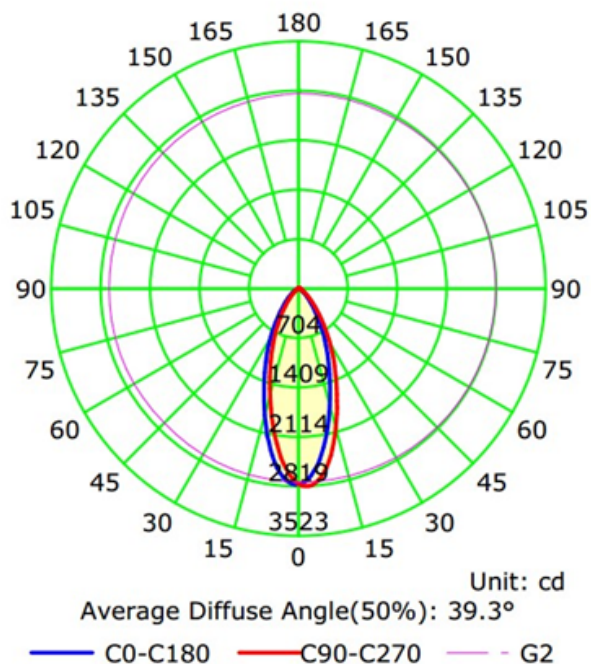
Current: 0.104 A
Power Factor: 0.988

Photometric Results

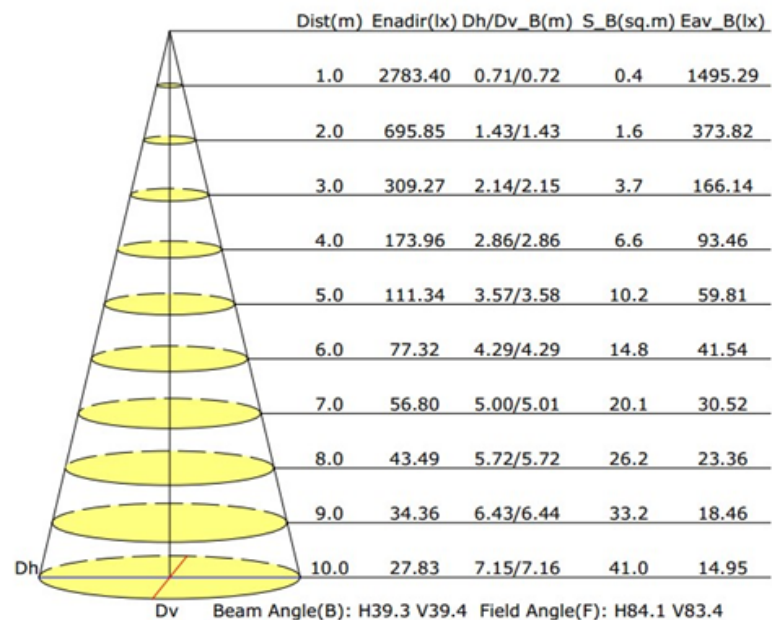
CIE Class: Direct
Measurement Flux: 1863.9 lm
Downward Ratio: 99%
Horizontal Diffuse Angle(10%,50%): H84.2,H39.4
Vertical Diffuse Angle(10%,50%): V83.6,V39.6
Luminaire Efficacy Rating (LER): 150.37
Max. Intensity: 2819.07 cd
S/MH(C0/C180): 0.62

Total Rated Lamp Lumens: 1863.9 lm
Efficiency: 100%
Upward Ratio: 1%
Central Intensity: 2783.4 cd
Pos of Max. Intensity: H112.5 V2
S/MH(C90/C270): 0.63

Luminous Intensity Distribution Curve



Illuminance at a Distance(Beam Angle)



LED Flood Light

NOTICE FOR USER

- Please turn off power before install or change assembly parts
- The input voltage and luminaire should be matched, after connecting the power line, Please make sure the wiring section is insulated.
- No-professionals, must not install and disassemble the luminaire

TROUBLE SHOOTINGS

Troubles	Check points
Flickering of the light	Turn off the power and turn on again in 3 minutes. If same phenomena occur, then call agencies
Out of working	Please check the connection.

Wattage adjustable instruction

Turn the wattage adjustable knob to a certain wattage gear, the power of the lamp will change to the corresponding wattage.

Wattage adjustable range 30%-95%.

Note: Please turn off the power before adjusting the wattage.