

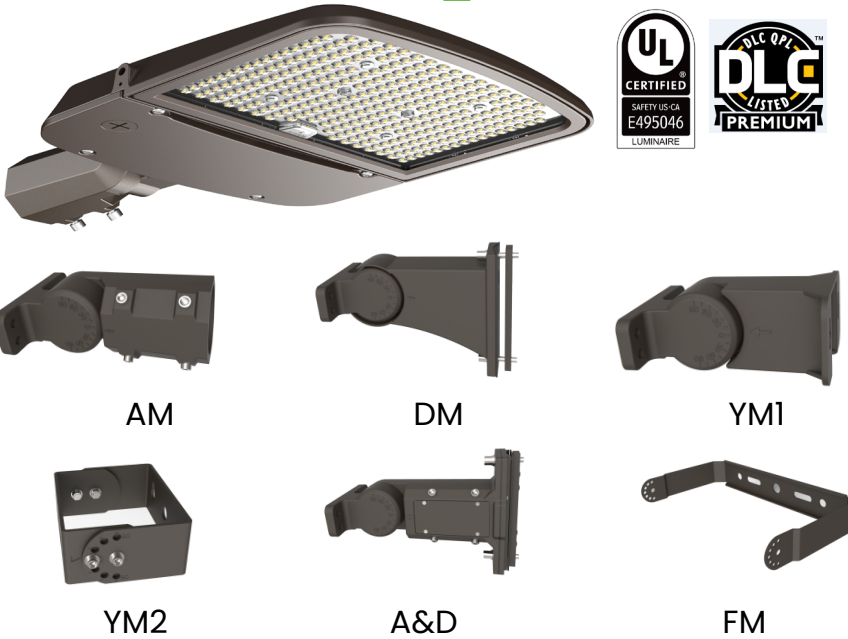


Project :

Type :

Part#:

LED Shoebox Light



P/N: INS-SHB16-200WXYA1-abcdefg

Note:

INS = Company name

SHB16 = Product series, LED Shoebox Light

200W = Rating Power

B = LED manufacturer, Lumileds 2835

T3 = light distribution type

A1 = Version number

"a" can be any two letters for lamp colors;

BR=Bronze, BH=Black,WH=white or Customized;

"b" can be "3RP", "3NP", "5RP", "5NP", "7RP", "7NP" or blank for photocontrol type provided or not ;

"c" can be "10SP", "20SP" or blank for Surge protector type provided or not;

"d" can be "DP" or blank for DC Photocell provided or not;

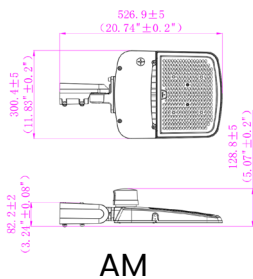
"e" can be "AM", "DM", "YMI", "YM2", "A&D", "FM" for bracket type;

"w" =dimming module provided.

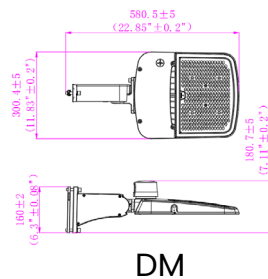
"g" can be any digits for CCT

30=3000K,35=3500K,40=4000K, 45=4500K, 50=5000K, 57=5700K.

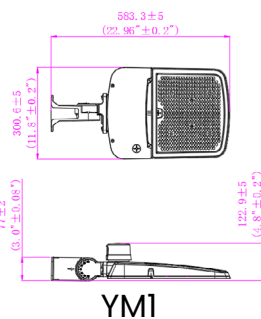
DIMENSIONS



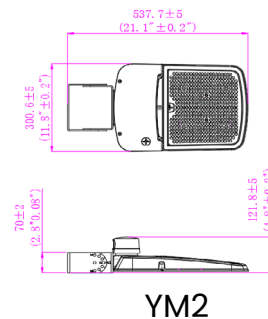
AM



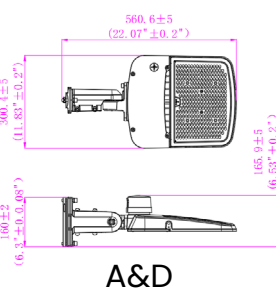
DM



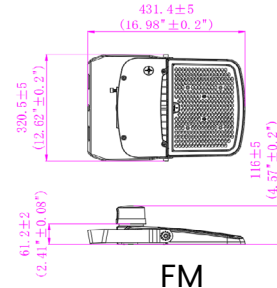
YMI



YM2



A&D



FM

ADVANTAGE

- UL cUL certificate.
- Lumileds Chip, high CRI.
- Input voltage 120-277VAC.
- Output constant current lever can be adjusted through output cable with 0-10V.
- No UV or IR in the beam.
- Easy to install and operate.
- Energy saving, long lifespan.
- Light is soft and uniform, safe to eyes.
- Instant start, NO flickering, NO humming.
- Green and eco-friendly without mercury

APPLICATION

- Outdoor basketball court, tennis court.
- Badminton court, the football field.
- The school playground, stadium.
- Community leisure entertainment plaza, road luminaire etc.

LED Shoebox Light

SPECIFICATIONS

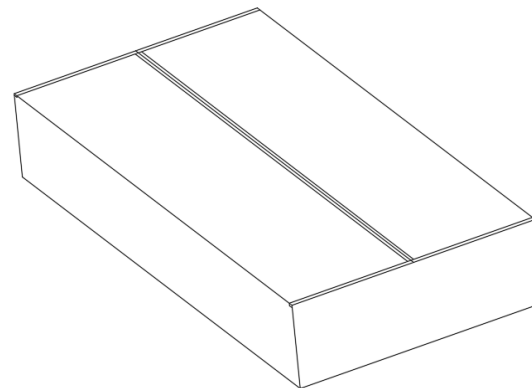
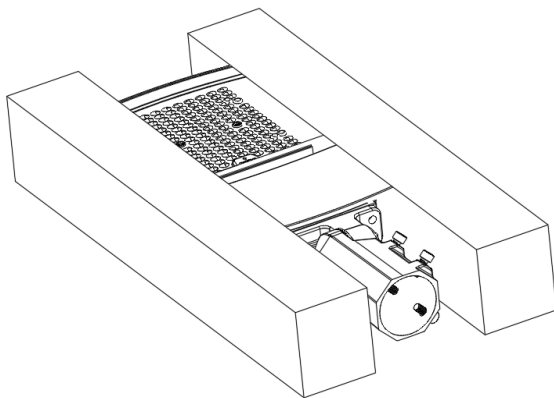
| | | | | | | | |
|-------------------|-------------------------------------|---|---------|---------|---------|---------|----------|
| OPTICAL | Input Power (Tolerance : ±10%) | 200W(Wattage Adjustable Range: 25%-100%) | | | | | |
| | Color Temperature | 3000K | 3500K | 4000K | 4500K | 5000K | 5700K |
| | Lumen (Tolerance : ±10%) | 25767LM | 25999LM | 26230LM | 26423LM | 26616LM | 27157LM |
| | Efficacy (Tolerance : ±3%) | 125LM/W | 126LM/W | 127LM/W | 128LM/W | 129LM/W | 132 LM/W |
| | CRI | >80 | | | | | |
| | Color Consistency | <6 Steps (or <6 SDCM) | | | | | |
| | BUG | B3-U0-G3 | | | | | |
| | Distribution Pattern | Type III | | | | | |
| | Beam Angle (50%) (Tolerance : ±15%) | (142°*84°) | | | | | |
| ELECTRICAL | Input Voltage and Frequency | 120-277VAC, 50/60Hz | | | | | |
| | PF (Tolerance : -3%) | ≥0.9 | | | | | |
| | THD (Tolerance : +5%) | ≤20% | | | | | |
| | Flicker Percent | <30% | | | | | |
| | Driver Brand | ASMART | | | | | |
| | Driver Model | HB-PM200W-450V | | | | | |
| | Driver Surge protection | L/N-PE: 6kV, L-N: 6kV | | | | | |
| | Dimming | 0-10V dimming standard | | | | | |
| | Sensor Type | Exterior Photocell, Integral Sensor Receptacle | | | | | |
| | Optional Accessory | Photocontrol, Surge-protective Device, photocell receptacle, shorting cap, DC plug light control; | | | | | |
| MATERIALS | LED Brand | Lumileds | | | | | |
| | LED Type | SMD 2835 | | | | | |
| | LED QTY | 265 PCS | | | | | |
| | Housing | Die-cast aluminum | | | | | |
| | Housing Color | Brown, Black, White or Customized | | | | | |
| | EPA | 1.29 ft² | | | | | |
| | Waterproof Rating | WET(IP65) | | | | | |
| OTHERS | Operating Temperature | -40°C TO 45°C; | | | | | |
| | Storage Temperature | -25°C TO 85°C | | | | | |
| | Operating Humidity | 5%- 95% RH | | | | | |
| | Storage Humidity | 5% - 95% RH | | | | | |
| | Warranty | 5 years | | | | | |

LED Shoebox Light

PACKAGE

| Bracket Type | Carton Size | Qty / Carton | Net Weight / Carton | Gross Weight / Carton |
|--------------|-------------------------------------|--------------|---------------------|-----------------------|
| AM | 605*335*138mm[23.82*13.19*5.43 in] | 1 PC | 3.6kg(7.92LBS) | 4.6kg(10.12LBS) |
| DM | | 1 PC | 4.1kg(9.02LBS) | 5.1kg(11.22LBS) |
| YM1 | | 1 PC | 3.8kg(8.36LBS) | 4.8kg(10.56LBS) |
| YM2 | | 1 PC | 4kg(8.8LBS) | 5kg(10LBS) |
| A&D | | 1 PC | 5.4kg(11.88LBS) | 6.4kg(14.08LBS) |
| FM | 585*335*138 mm[23.03*13.19*5.43 in] | 1 PC | 3.6kg(7.92LBS) | 4.6kg(10.12LBS) |

Tolerance of Carton Size: ± 15 mm [± 0.59 in], Tolerance of Weight: $\pm 10\%$.



LIGHT DISTRIBUTION TESTING PARAMETERS

Luminaire Property

Luminaire Manufacturer:
 Luminaire Category:
 Lamp Catalog:
 Number of Lamps:
 Luminous Length (mm):
 Luminous Height (mm):
 Current: 1.729 A
 Power Factor: 0.995

Luminaire Description:
 Lamp Description:
 Lumens per Lamp:
 Luminous Width (mm):
 Voltage: 120.0 V
 Power: 206.46 W

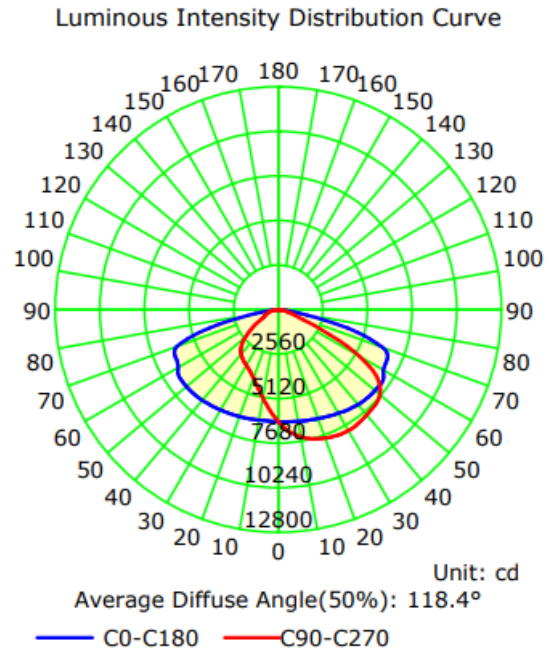
Photometric Results

IES Classification: Type III
 Total Rated Lamp Lumens: 25767.3 lm
 Efficiency: 100%
 Upward Ratio: 0%
 C0r0 Intensity: 6447.99 cd
 Pos of Max. Intensity: H22.5 V72
 Beam Angle(C0/C180,C90/C270,C45/C225,C135/315): 151.5, 85.4, 105.1, 11

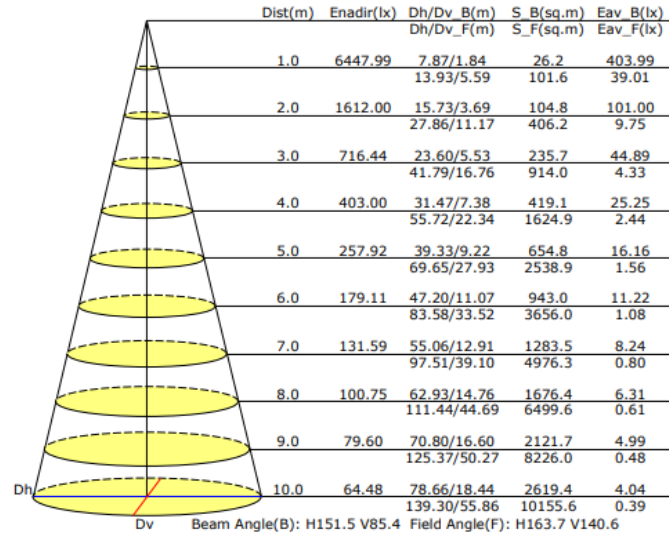
Longitudinal Classification: Medium
 Measurement Flux: 25767.3 lm
 Downward Ratio: 100%
 Luminaire Efficacy Rating (LER): 1
 Max. Intensity: 10240.25 cd

LED Shoebox Light

LIGHT DISTRIBUTION TESTING PARAMETERS



Illuminance at a Distance



NOTICE FOR USER

- Please turn off power before install or change assembly parts
- The input voltage and luminaire should be matched, after connecting the power line, Please make sure the wiring section is insulated.
- No-professionals, must not install and disassemble the luminaire

TROUBLE SHOOTINGS

| Troubles | Check points |
|--|--|
| If same phenomena occur, then call agencies. | Turn off the power and turn on again in 3 minutes. If same phenomena occur, then call agencies. |
| Out of working | Please check the connection. |