



Semi Cutoff Wall Pack

5-Power Selectable & 3-Color Selectable



5P60

WATT	LUMENS
20	2,300
30	4,200
40	5,600
50	7,000
60	8,400

5P120

WATT	LUMENS
40	5,600
60	8,400
80	11,200
100	14,000
120	16,800

Project :

Type :

Part#:

IS Wall Pack Series

Detail Specifications:

- Finish: Bronze, Custom finishes available
- IP Rating: Wet Location
- Impact Rating: IK08
- Beam Angle: Type IV
- BUG: B3-U5-G5
- Chip: SMD 2835, R9 >50, CRI >80
- Operating Temperature: -40° - 122° F
- Lens: Glass Lens
- Average life (L70) of 70,000 hours

Applications:

- Walkways & Pathways
- Parking Lots
- Hospitality, Multi-Family
- Outdoor Corridors
- Residential, Commercial and Industrial

Product Information:

- Sturdy die-cast aluminum housing finished with corrosion free powder coat
- Traditional metal-halide wall pack size
- Photocell is included with an easy quick disconnect
- Instant-On to full brightness

Driver Options:

- UNV: 120-277V 0-10V Dimmable
- HV: 277-480V 0-10V Dimmable
- Built in 6Kv Surge Protector
- THD: <20% (+/-5% tolerance), PF >0.9, 50/60Hz

Mounting & Installations:

- Five 1/2" knockouts: 1 one each side for convenient installation

Certifications:

- UL Listed for USA and CA
- DLC Listed
- ROHS Compliant
- Approved for CA T24
- 5 Year Limited Warranty
- FCC CFR 47, GCC Part 15, Subpart B:2017

Series ISWP	Wattage	Color Temp CS3	Finish	PC	Voltage	Sensor ²	Emergency	Surge Protector	Optional Accessories (Order Separately)		
5WS60	20/30/40/50/60W	30/40/50K	BZ Bronze (Standard)	Photocell is included. Easy quick disconnect. (PC-3/4-3PIN-LV)	(Blank) 120-277V HV 277-480V	(Blank) No Sensor	(Blank) No Emergency	(Blank) 6KV Built In 20KV 20KV Surge Protector	Remote for Sensors	Remote for Sensors	Remote for Sensors
5WS120	40/60/80/100/120W		BL ¹ Black WH ¹ White GRY ¹ Gray CS ¹ Custom Color			BMS Bi-Level Motion + Daylight Sensor (HB01DMS-C) BMS1 Bi-Level Motion + Daylight Sensor (S-BMSEXT-1) BMS1BT Bi-Level Motion + Daylight Sensor -BluetoothControl- (S-BMS-EXT-1-BT)	EMB Emergency Backup		ISHB03R HB01DMS Remote ISREMOTE S-Line Remote	ISWP-WG Wire Guard	ISWP-SHLD Shield

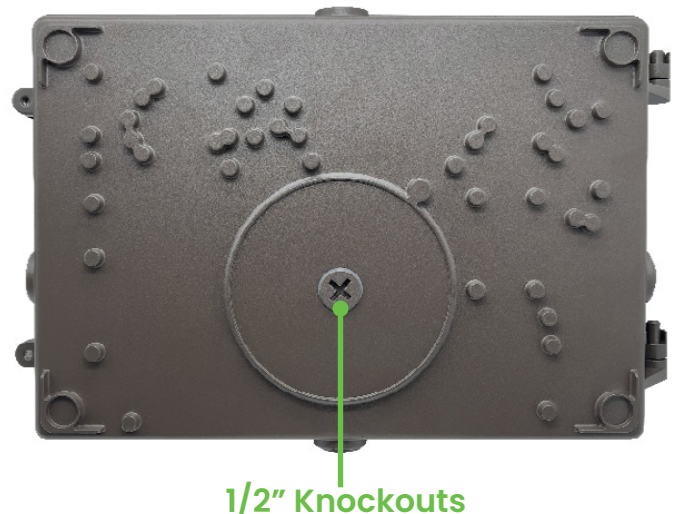
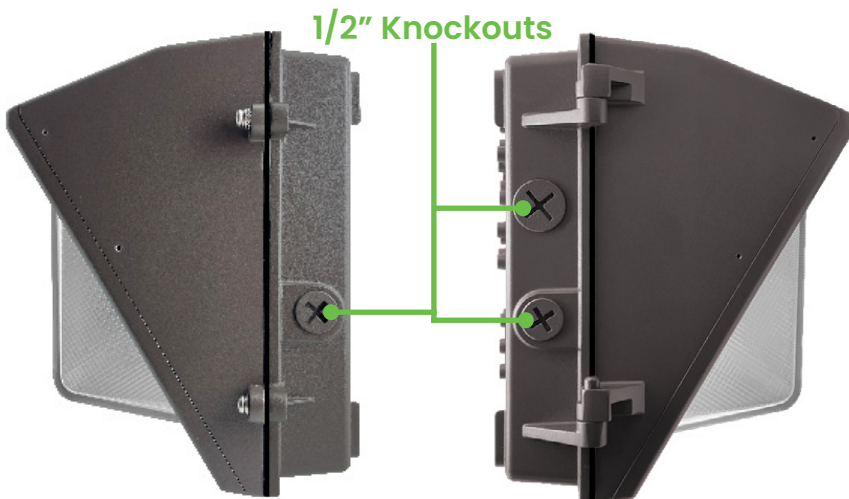
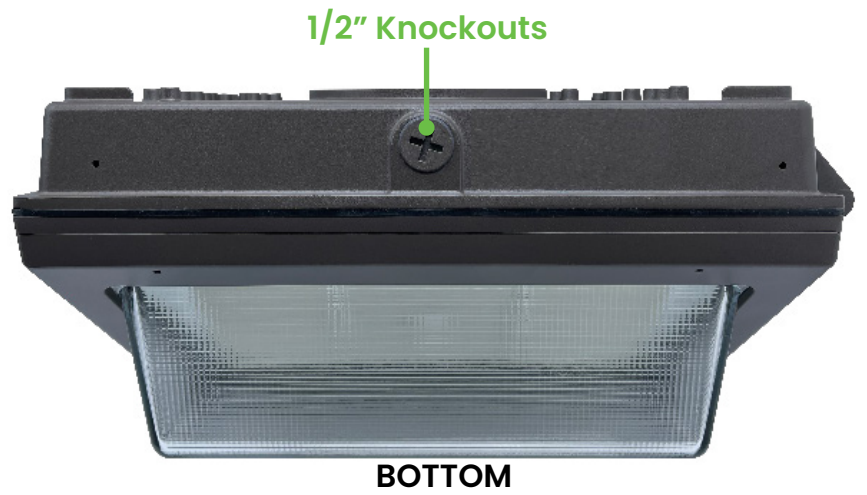
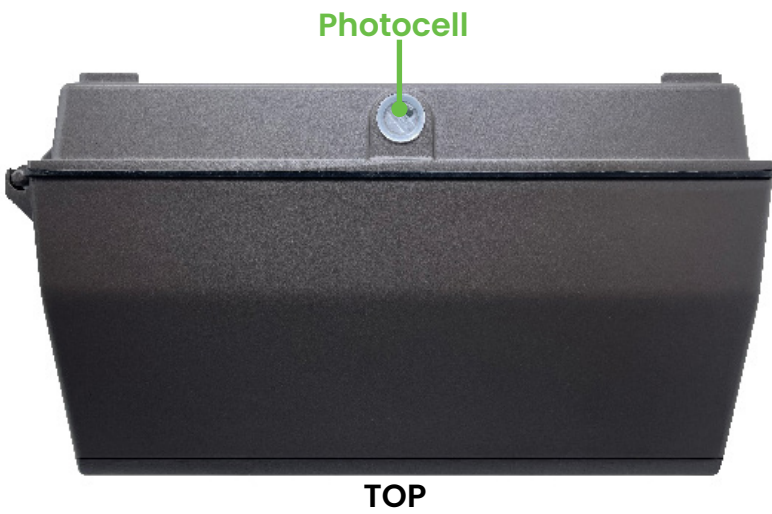
1. Standard quickship is bronze. Other colors are custom finishes

2. Sensors require remote for programming

Semi Cutoff Wall Pack

5-Power Selectable & 3-Color Selectable

FEATURES

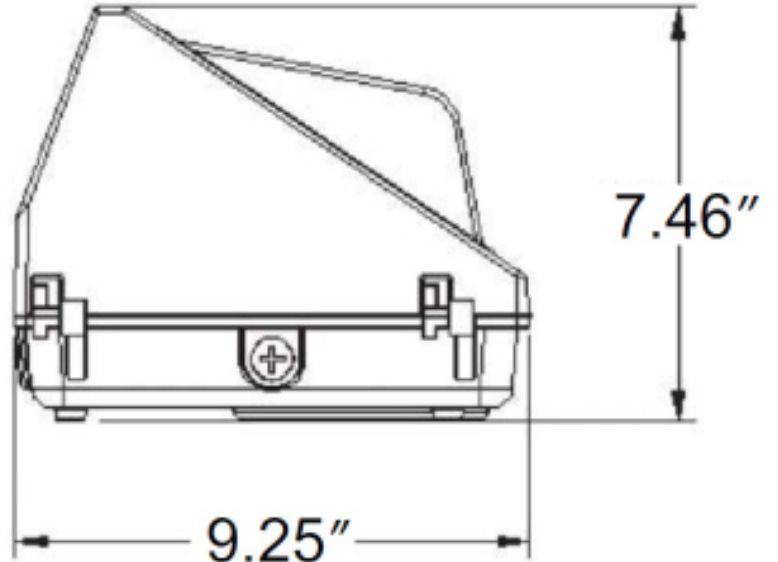
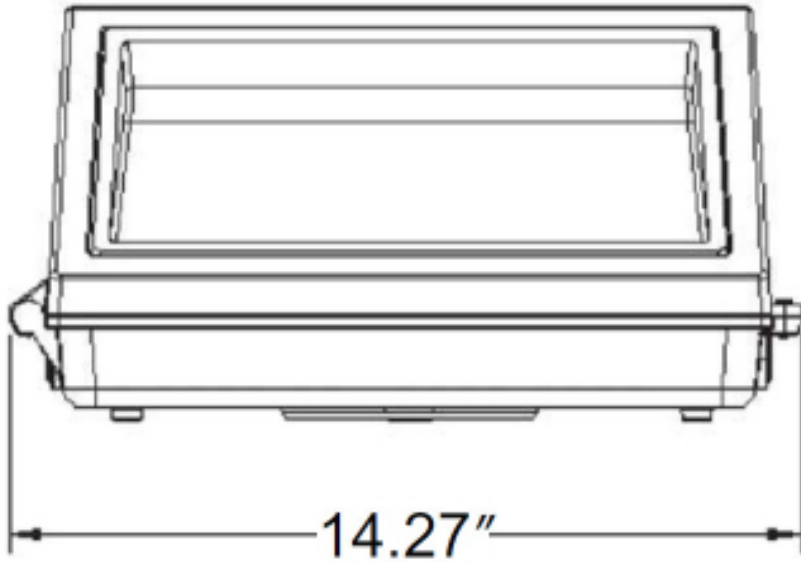


Specs and model numbers are subject to change with or without notice.

Semi Cutoff Wall Pack

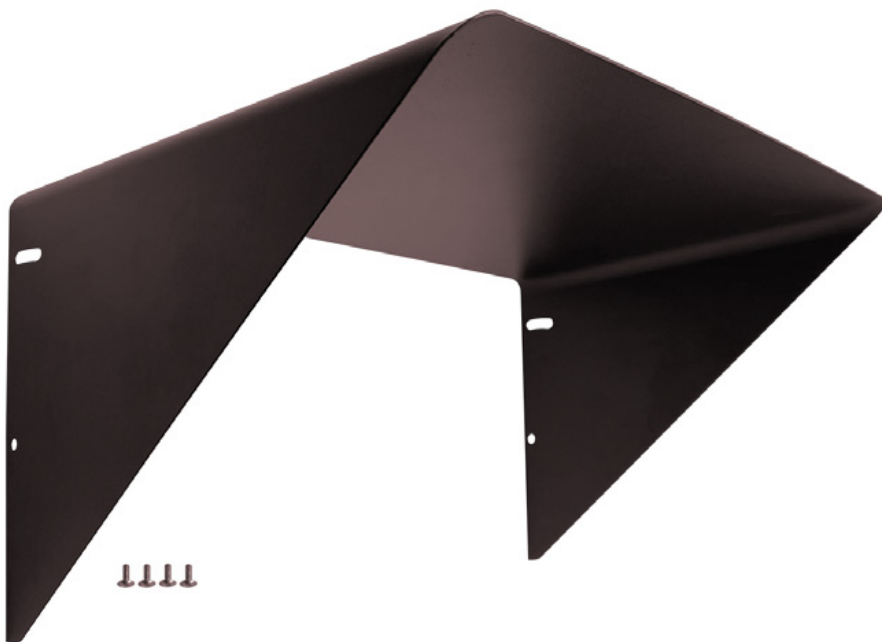
5-Power Selectable & 3-Color Selectable

DIMENSIONS

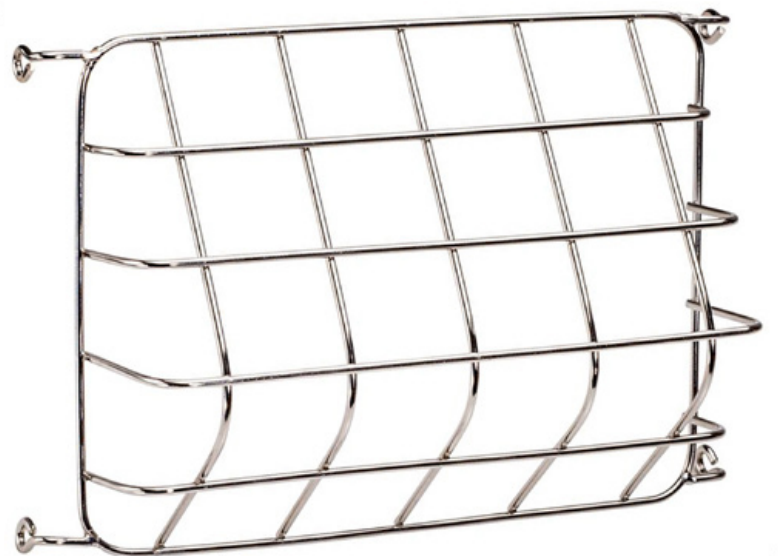


ACCESSORIES

Accessory Model	Description
ISWP-SHLD	Cut Off Shield for WPF Wall Packs
ISWP-WG	Wire Guard for WPF Wall Packs



ISWP-SHLD



ISWP-WG

Semi Cutoff Wall Pack

5-Power Selectable & 3-Color Selectable

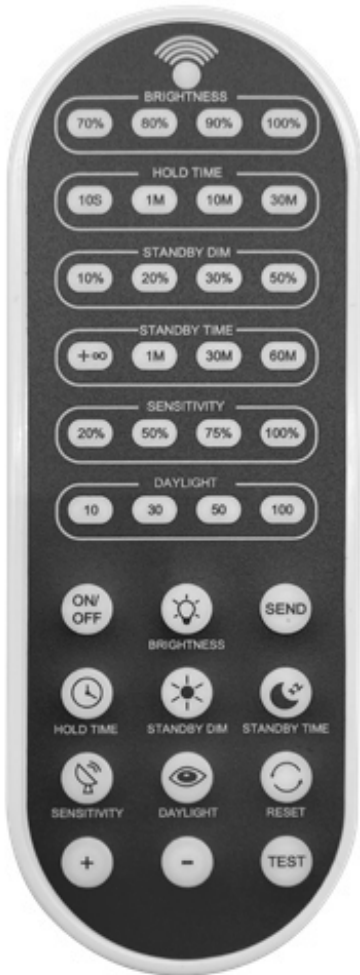
ACCESSORIES

WALL PACK

Model	Voltage	Watts	Lumens	Color	CRI
ISWP-5WS60CS3-PC	120-277V	30/40/50/60w	145 lm/w	30/40/50k	>80
ISWP-5WS120CS3-PC	120-277V	60/80/100/120w	145 lm/w	30/40/50k	>80

REMOTE CONTROL

Accessory Model	Description
ISHB03R	Remote for HB-Line Series
ISREMOTE	Remote for S-LINE Series Sensors



ISHB03R



ISREMOTE