



Project :
 Type :
 Part#:

DIM10-220

WIRELESS LIGHTING CONTROLLER



Bolt-on controller for indoor and outdoor applications

Order	Description
DIM10-220	Bolt-on controller with external antenna connector
DIM10-220-F	Bolt-on controller with internal antenna

PRODUCT OVERVIEW

The DIM10-220 provides real-time control with power monitoring to help meet California Title 24 and other energy regulations. It also includes a 24VDC sensor input and power supply to connect a sensor into the SimplySnap wireless lighting solution. It is designed for retrofit applications or for use with new fixtures that do not have room for integrated controls.

KEY FEATURES:

- Available with internal and external antenna options (Antenna not included)
- Supports variety of fixture designs and mounting options
- IP65 rated for indoor and outdoor applications
- Power Monitoring
- Class 1 / 2 0-10V Dimming Control
- True On/Off functionality via switched relay
- Self-healing SNAP Mesh Networking
- Supports a wide range of LED drivers
- Supports 24VDC sensors (consult sales for list)
- Secure, over-the-air upgrades to support future enhancements
- DLC Certification for both Indoor and Outdoor



 256-801-9825

DIM10-220

WIRELESS LIGHTING CONTROLLER

Dimensions	6.1" L x 2.1" W x 1.6" H (153.7 x 53.9 x 41.8mm)
Mounting	Conduit Knock-Out, Hanging Kit, or in Fixture
Input Power¹	110-277VAC, 50/60Hz
Load Rating¹	5A @ 120/277VAC (+/- 10%)
Surge Rating	6KV
Operating Environment	-40°C to +70°C
IP Rating	IP65
Wiring	15" wires attached (+/- 1")
Dimming Output	0-10V, Class 1/2, 30mA
Radio	SNAP 2.4GHz ; 802.15.4 +20 dBm Transmit Power -103 dBm Receive Sensitivity
Sensor Input	0 - 24VDC
Sensor Power Supply	24VDC @ 20mA
Power Monitoring²	2% accuracy
Power Readings	Voltage and Watts
Certifications	c(UL)us, FCC/ IC , RoHS
Warranty³	5 Years

DIM10-220

WIRELESS LIGHTING CONTROLLER

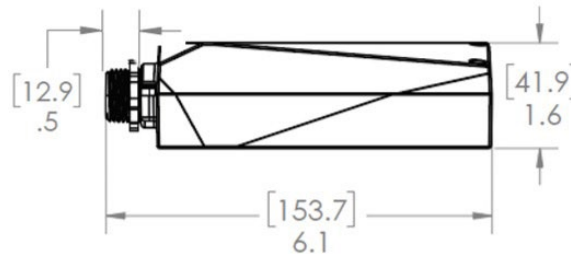
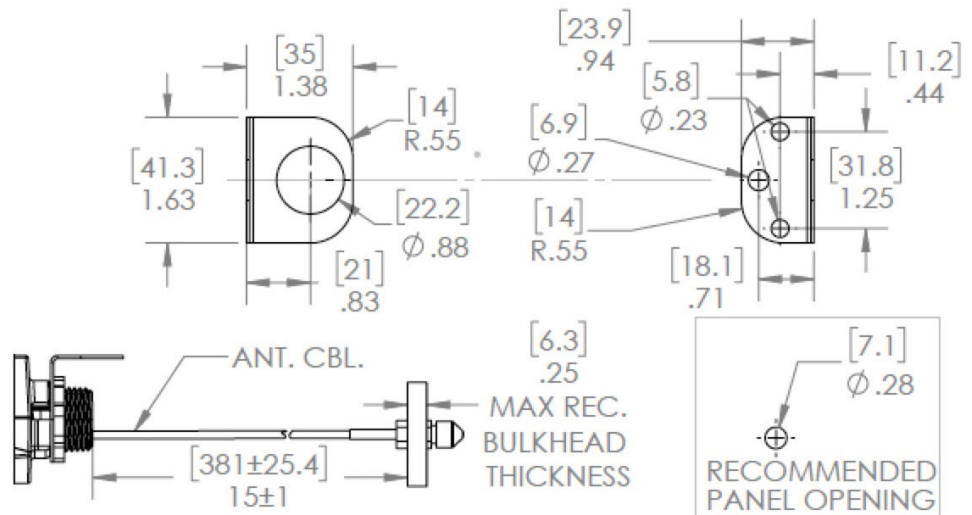
DIM10-220 DIMENSIONS AND WIRING INFORMATION

Class 1	
Line	Black
Neutral	White
Load	Red

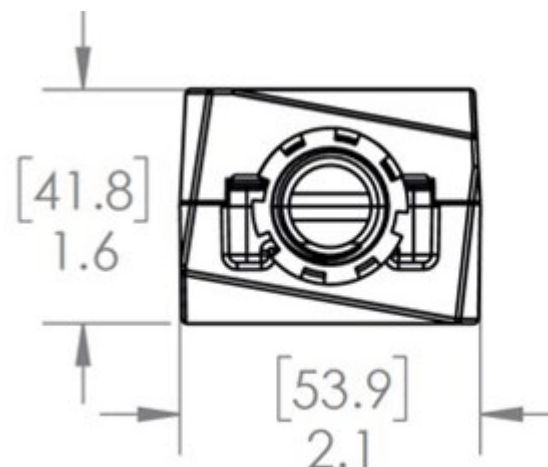
Class 1 or 2	
0-10V Dim+	Purple
0-10V Dim-	Gray

Class 2	
Sensor In	Blue
Sensor Power	Brown
Sensor Com	White/Blue

Note: Phase to Phase power is supported, however the controller only switches one phase.



Note: For use with a standard 1/2" EMT knockout.





 256-801-9825

DIM10-220

WIRELESS LIGHTING CONTROLLER

Status LED- when powered

Color	Meaning
RED	No Network Found (Communication Lost)
BLINKING GREEN	Network Found, Controller Not Configured (Device not yet added to SimplySnap)
GREEN	Network Found, Controller Configured (Normal Operation)

ACCESSORIES (For use with DIM10-220 with external antenna connector)

Antenna Part #	Description
ANT-ORB-1.5-1	Outdoor Fixed Right Angle Antenna, 1.5 dBi gain
ANT-OSB-1.5-1	Outdoor Straight Antenna, 1.5 dBi gain
ANT-ORS-5.1	Stubby Antenna, Outdoor Right Angle
ANT-OSS-5.1 S	Stubby Antenna, Outdoor Straight

Hanging Kit Part #	Description
KIT-HP02-01	Hanging Kit, Aircraft cable,Coax cable,1.5'
KIT-HP20-01	Hanging Kit, Aircraft cable,Coax cable,20'
KIT-HP30-02	Hanging Kit, Aircraft cable,Coax cable,30'
KIT-HP50-03	Hanging Kit, Aircraft cable,Coax cable,50'