



Project :

Type :

Part#:

Emergency Exit Sign



IS Exit Series

Now available is the Inergy Solutions Emergency Exit Sign. Available in a green and red light, with a single sided and double sided version, place these signs on walls or ceilings near exit locations. With a nickel cadmium battery, the charging time for this fixture is 24 hours, with a discharge time or backup time of 90 minutes. Test to make sure everything works correctly with a test switch and light indicator.

Product Information:

- Test switch and charge indicator
- Super bright SMD LED
- Film protectant for extra shatter protection (food industry OK)
- Non-Dimmable
- Title 20 Compliant

Applications:

- Wall Mounting
- Ceiling Mounting

Additional Details:

- Voltage: 120-277V
- Output: 1W Max
- Power Consumption: 4W Max
- Charging Time: 24 Hours
- Discharge Time: 90 Minutes
- Operating Temp: 0° C ~ 40° C
- Dimensions: 11.61" x 8.18" x 4.56"
- UL-94V-0 Flame rating, fire-resistant

Product
ISEXIT
①

Color
R
G
②

WH
③

① **Product**
ISEXIT LED Emergency Exit Sign (Single and double sided)

② **Color**
R Red
G Green

③ **Style**
WH Standard White EXIT Sign

Specs and model numbers are subject to change with or without notice

Emergency Exit Sign

FEATURES

Nickel Cadmium Battery

Discharge / Backup time: 90 Minutes
Charging Time: 24 Hours

Injection-molded Thermoplastic ABS Housing

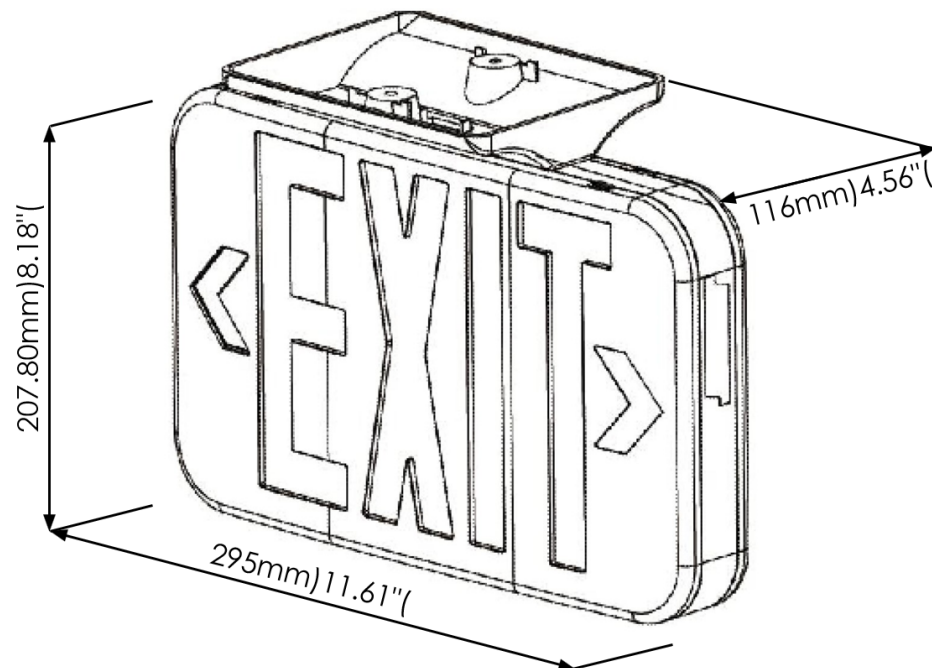


UL924 Listed
UL-94V-0 flame rating, fire resistant

Manual Test Switch

Test to make sure the fixture is working correctly with a red led light that indicates normal operation

DIMENSIONS



Specs and model numbers are subject to change with or without notice

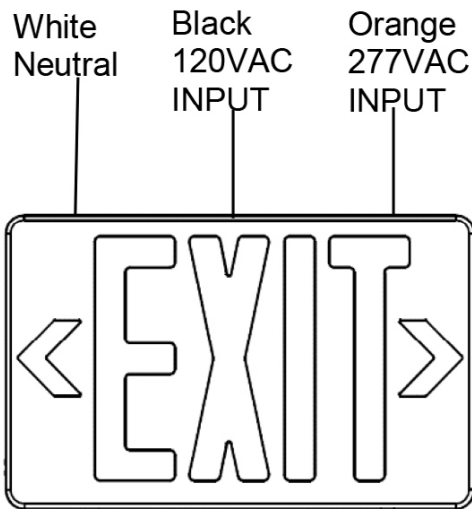
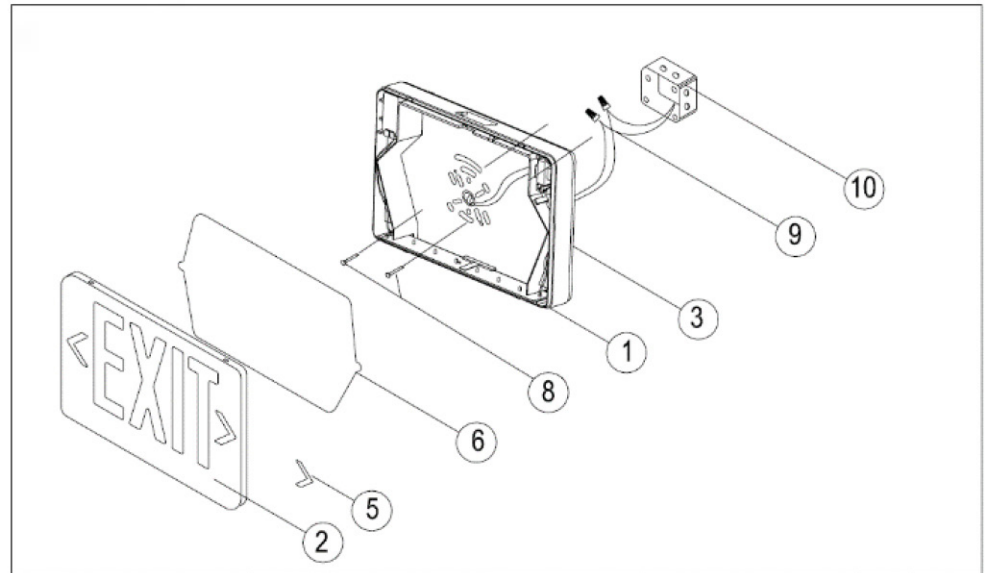
IS Exit Series Installation Instructions

NOTE: First turn off electricity

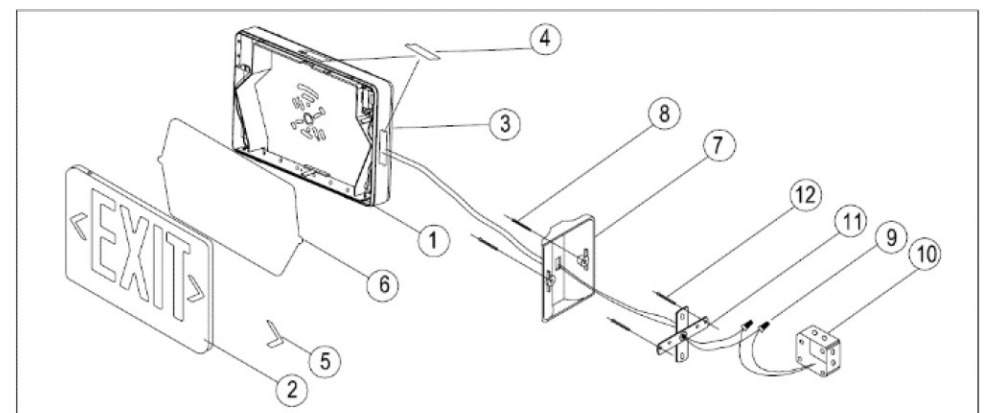
- 1) Do not use outdoors
- 2) Do not mount near gas or electric heaters
- 3) Do not let power cords touch hot surface
- 4) Use caution when servicing batteries. Avoid possible shorting
- 5) Equipment should be mounted in locations and at heights where it will not be subjected to tampering by unauthorized personnel

For more information, refer to instructions and safety guidelines included with the product

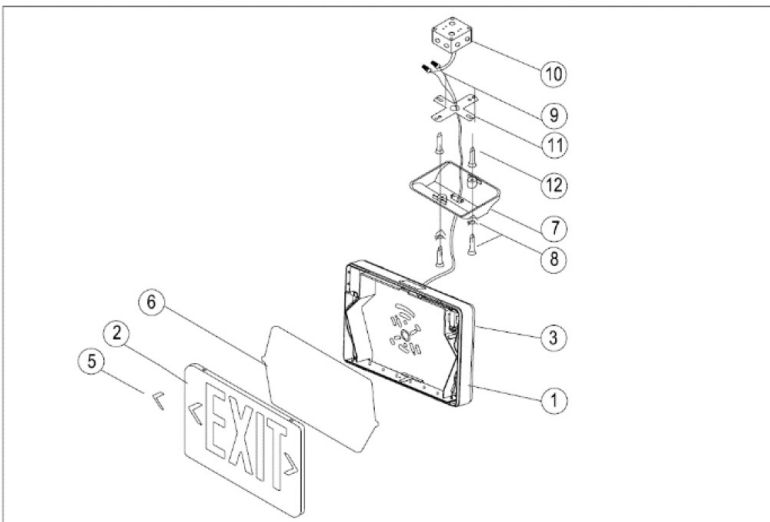
BACK MOUNTING – DIAG. 1



SIDE MOUNTING – DIAG. 2



CEILING MOUNTING – DIAG. 3



Specs and model numbers are subject to change with or without notice