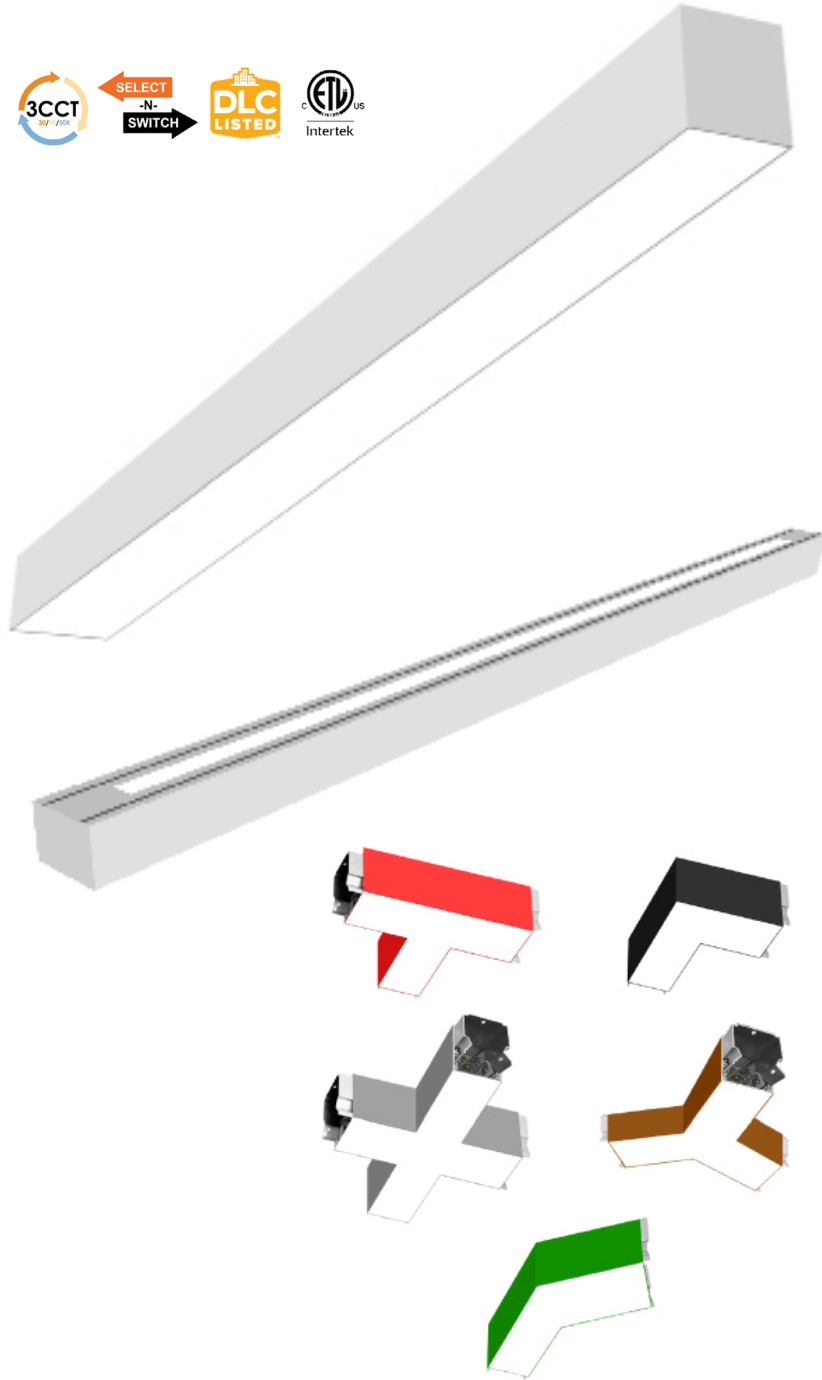




Architectural Linear Fixture Series

3-Power Selectable & 5-Color Selectable



Mounting & Installations:

- Fixture is pre-wired with wire harness that allows for easy daisy chain.

No additional wiring is required for continuous run

- Bracket for continuous run is included
- 5-wire 6' power cord is included. 6-wire power cord is included with emergency models
- 6' Canopy suspension kit (1 power feed) included
- Surface mount: compatible with 30 or 40 j-box. Screws and connector included with each fixture.
- Wall, Recessed, Trimless, Flange Mount, Suspended all available. Details below.

Project :

Type :

Part#:

IS Linear Fixture Series

Inergy Solutions Direct/Indirect Architectural luminaires offer a 2" sleek and modern appearance with symmetrical light distribution. They can be surface, wall, recess, trimless, or pendant mounted. The luminaire provides flexible and creative illumination design options, including direct, indirect, and wall wash lighting, with fully illuminated corners for seamless connections between luminaires. It is designed to make an enduring impression in corporate offices, educational institutions, commercial spaces, and retail environments.

Detail Specifications:

- Finish: White, Custom finishes available
- IP Rating: Damp Location (IP44)
- Beam Angle: 100°
- Chip: SMD 2835, R9 >50, CRI >90
- Operating Temperature: -4° - 122° F
- Lens: Acrylic Frosted Lens Standard: efficiently emits the light through a high-quality acrylic lens, spreading it evenly and without causing glare
- Optional Louver available
- Average life (L70) of 50,000 hours

Applications:

- Stairwell & Hallways
- Utility & Storage
- Garage Structures
- Office and Meeting Rooms
- Retail
- Commercial and Industrial

Product Information:

- Construction:
 - One piece aluminum extrusion housing that incorporates a precisely cut, smooth white extruded frosted lens that securely attaches to the body and allows easy removal for accessing the driver and LED boards when needed.
 - Solid aluminum end caps are included
 - Finished with corrosion free powder coat.
- Fixture can be surface mounted or pendant mounted with
- 40 J-box cover included with every fixture
- Select-n-Switch Technology: 5-CCT + 3-Power Selectable

Driver Options:

- Max Run: 600W off one power feed
- UNV: 100-347V 0-10V Dimmable
- Optional 347-480V step down transformer available
- THD: <20% (+/-5% tolerance), PF >0.9, 50/60Hz
- 3-Power Selectable
- Flicker Free
- Approved for CA T24
- 5 Year Limited Warranty
- FCC CFR 47, GCC Part 15, Subpart B:2017

Certifications:

- ETL Listed for USA and CA
- DLC Premium Listed
- Approved for CA T24
- 5 Year Limited Warranty
- FCC CFR 47, GCC Part 15, Subpart B:2017

Architectural Linear Fixture Series

3-Power Selectable & 5-Color Selectable

ORDERING GUIDE

LINEAR MODELS

Series	Length & Wattage	Light Direction	Color 5WS	Finish ¹	Sensor	Emergency	Mounting Options
ISALS1	3WS12	D	50/40/35	WH	(Blank)	(Blank)	(Blank)
ISALS2	12/9/6W	Downlight	30/27K	White	BMS	EMB	WMR
ISALS4	3WS25	UD		BL ¹	Microwave	Emergency Backup	Side Wall Mount rackets Installed to fixture. Right side wire entry.
ISALS6	25/19/13W	Downlight & Uplight	Photocell is included. Easy quick disconnect. (PC-3/4-3PIN-LV)	Black SLV ¹	Bi-Level Motion + Daylight Sensor		WML Side Wall Mount Brackets Installed to fixture. Left side wire entry.
ISALS8	3WS50			Silver			FLNG3 Recessed drywall kit will be added to the 2 long (length) and 1 short (width) of the fixture. Choose this option for the first and last fixtures on a run..
	3WS75			CS ¹			TML2 Trimless kit will be added to the 2 long (length) of the fixture. Choose this option for the fixtures in the middle.
	75W/56/38W			Custom Color			TML3 Trimless kit will be added to the 2 long (length) and 1 short (width) of the fixture. Choose this option for the first and last fixtures on a run.
	3WS100						TML Trimless kit will be added to all 4 sides of the fixture. Choose this option for standalone fixtures.
	100/75/50W						

¹. White finish standard.
Other colors are made to order appx.15 days.

SPECIAL SHAPE MODELS

Series	Shape & Wattage	Light Direction	Color 5WS	Finish ¹	Sensor	Emergency	Mounting Options
ISALS1	12X12-L-3P25	D	50/40/35	WH	(Blank)	(Blank)	(Blank)
	L-Shape 25/19/13w	Downlight	30/27K	White	BMS	EMB	FLNG
	12X12-120L	UD		BL ¹	Microwave	Emergency Backup	Recessed drywall kit will be added to all 4 sides of the fixture. Choose this option for stand alone fixtures.
	-3P25	Downlight & Uplight		Black SLV ¹	Bi-Level Motion + Daylight Sensor		TML Trimless kit will be added to all 4 sides of the fixture. Choose this option for standalone fixtures.
	120° L-Shape 25/19/13w			Silver			
	24X24-L-3P50			CS ¹			
	L-Shape 50/38/25w			Custom Color			
	22x10-T-3P36						
	T-Shape 36/25/17w						
	22X22-X-3P50						
	X-Shape 50/38/25w						

¹. White finish standard.
Other colors are made to order appx.15 days.

CONNECTORS

Connectors	Color 5WS	Finish ¹	Mounting Options
ISALS-L-5CCT	50/40/35	WH	FLNG
8" L-Shape Connector	30/27K	White	Recessed drywall kit will be added to all sides of the fixture.
ISALS-X-5CCT		BL ¹	
8" X-Shape Connector		Black	
ISALS-Y-5CCT		SLV ¹	
8" Y-Shape Connector		Silver	
ISALS-120L-5CCT		CS ¹	TML
8" 120° L-Shape Connector		Custom Color	Trimless kit will be added sides of the fixture.

¹. White finish standard.
Other colors are made to order appx.15 days.

Architectural Linear Fixture Series

3-Power Selectable & 5-Color Selectable

ORDERING GUIDE

ACCESSORIES

Suspension Canopy Kits	Suspension Rod Pendant Kits (Non-Adjustable)	Optional Installation Brackets	Flange (Drywall) Kit	Trimless Kit	Up Light Kit (Field Installable)
SK-CPR-20FT-1WR-WH 20' Single Wire White Finish	ISALS-6FT-SRK-WH 6' White Finish	ISALS-WM Wall Mounting Brackets. Order 1 set for every 4 feet.	ISALS-RTK-2FT ISALS-RTK-4FT ISALS-RTK-6FT ISALS-RTK-8FT	ISALS-TML-2FT ISALS-TML-4FT ISALS-TML-6FT ISALS-TML-8FT	ISALS-2FT-UL 5/4/2.5w ISALS-4FT-UL 10/8/5w
SK-CPR-20FT-1WR-BL 20' Single Wire Black Finish	ISALS-6FT-SRK-BL 6' Black Finish	ISALS-RB Recessed Bracket. Order 1 set for every 4 feet.			

MAXIMUM RUN BY FOOT	
POWER SETTING	600W Max
LOWEST	96 Feet
MIDDLE	64 Feet
HIGHEST	48 Feet

WATTAGE BY FOOT	
POWER SETTING	
LOWEST	6.25W
MIDDLE	9.38 W
HIGHEST	12.5 W

LUMENS CHART BY FOOT

DOWNLIGHT ONLY LUMENS/FT.	
POWER SETTING	DOWNLIGHT
LOWEST	750
MIDDLE	1,125
HIGHEST	1,500

DOWNLIGHT & UP LIGHT LUMENS/FT.		
POWER SETTING	DOWNLIGHT	UP LIGHT
LOWEST	600	150
MIDDLE	900	240
HIGHEST	1,200	300

LUMENS CHART BY FIXTURE

3WS12 MODELS					
DOWNLIGHT ONLY FIXTURE		DOWNLIGHT & UP LIGHT FIXTURE			
DOWNLIGHT		DOWNLIGHT		UP LIGHT	
WATT	LUMENS	WATT	LUMENS	WATT	LUMENS
6	750	5	600	1	120
9	1,080	7	840	2	240
12	1,500	9.5	1,200	2.5	300

Architectural Linear Fixture Series

3-Power Selectable & 5-Color Selectable

3WS25 MODELS					
DOWNLIGHT ONLY FIXTURE		DOWNLIGHT & UP LIGHT FIXTURE			
DOWNLIGHT		DOWNLIGHT		UP LIGHT	
WATT	LUMENS	WATT	LUMENS	WATT	LUMENS
13	1,560	10	1,200	3	360
19	2,280	15	1,800	4	480
25	3,000	20	2,400	5	600

3WS50 MODELS					
DOWNLIGHT ONLY FIXTURE		DOWNLIGHT & UP LIGHT FIXTURE			
DOWNLIGHT		DOWNLIGHT		UP LIGHT	
WATT	LUMENS	WATT	LUMENS	WATT	LUMENS
25	3,000	20	2,400	5	600
37.5	4,500	30	3,600	8	960
50	6,000	40	4,800	10	1,200

3WS75 MODELS					
DOWNLIGHT ONLY FIXTURE		DOWNLIGHT & UP LIGHT FIXTURE			
DOWNLIGHT		DOWNLIGHT		UP LIGHT	
WATT	LUMENS	WATT	LUMENS	WATT	LUMENS
38	4,560	30	5,040	8	600
56	6,720	45	5,400	11	1,320
75	9,000	60	7,200	15	1,200

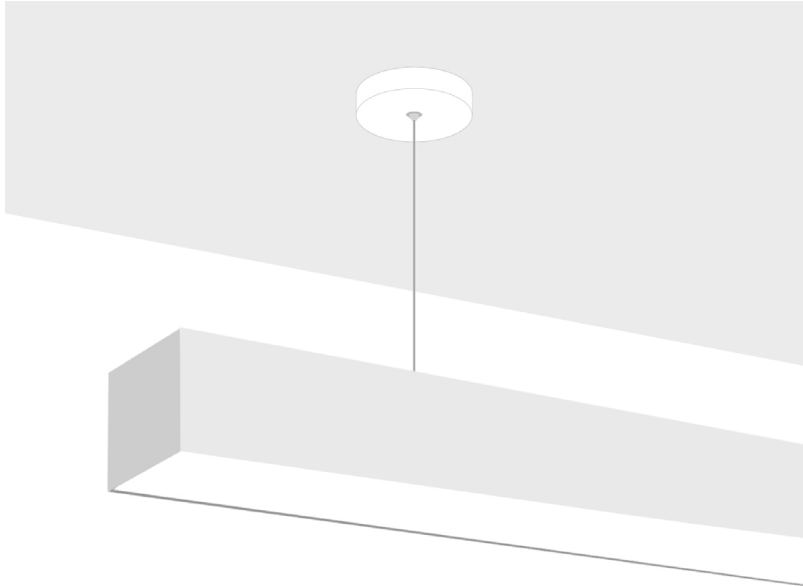
3WS100 MODELS					
DOWNLIGHT ONLY FIXTURE		DOWNLIGHT & UP LIGHT FIXTURE			
DOWNLIGHT		DOWNLIGHT		UP LIGHT	
WATT	LUMENS	WATT	LUMENS	WATT	LUMENS
50	9,000	40	4,800	10	1,200
75	9,000	60	7,200	15	1,800
100	12,000	80	9,600	20	2,400

Lumen based off 4000K. Other CCT: +/-

Architectural Linear Fixture Series

3-Power Selectable & 5-Color Selectable

INSTALLATION METHODS

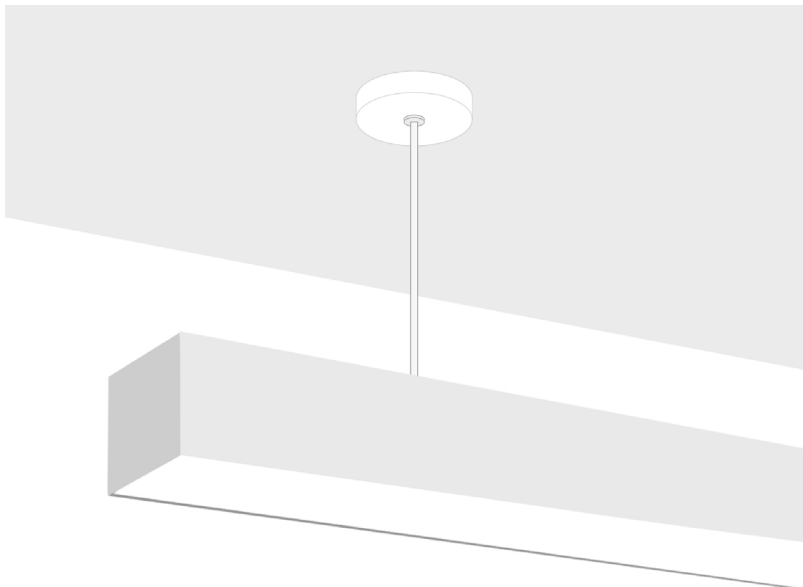


Suspension (Wire)

Each fixture includes a 6' suspension canopy kit. The suspension kit can be adjusted in length. Painted Fixtures: 6' canopy kit for any custom painted fixture will also be painted to the matching RAL of the body unless otherwise noted. Optional 12' canopy kit available in white or black finish.



MODEL #
ISSK12-CPR-1WR-WH
ISSK12CPR-1WR-BL



Suspended (Stem/Rod Kit)

Suspend each fixture with a stem rod kit that can be adjusted to 2' or 4'. Available standard in white or black finish. Other paint options are available.

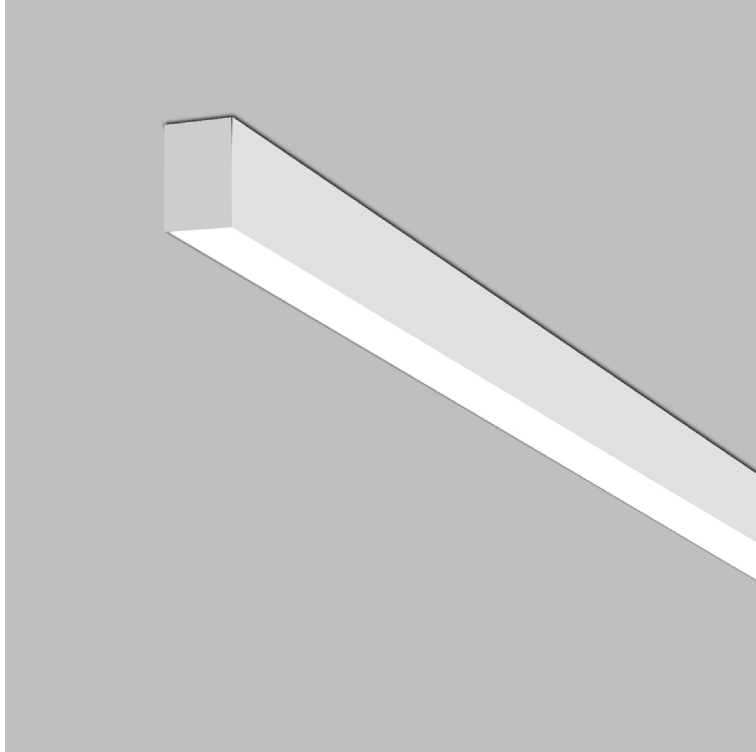


MODEL #
ISALS-2/4FT-SRK-WH
ISALS-2/4FT-SRK-BL

Architectural Linear Fixture Series

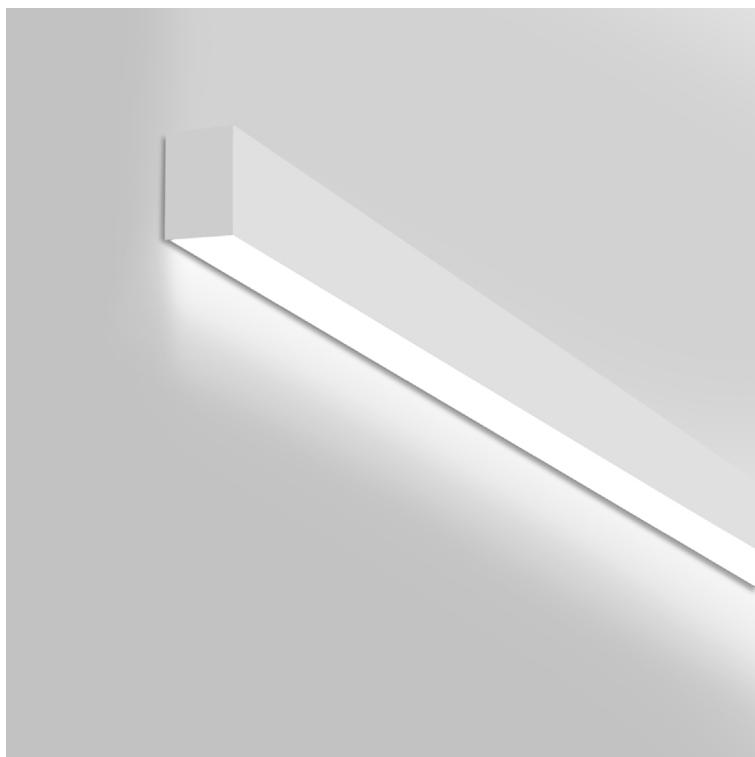
3-Power Selectable & 5-Color Selectable

INSTALLATION METHODS



Surface Mounted

Surface mount kit accessories are included in the box. 40 j-box cover is included. Do not surface mount fixtures with up-light.



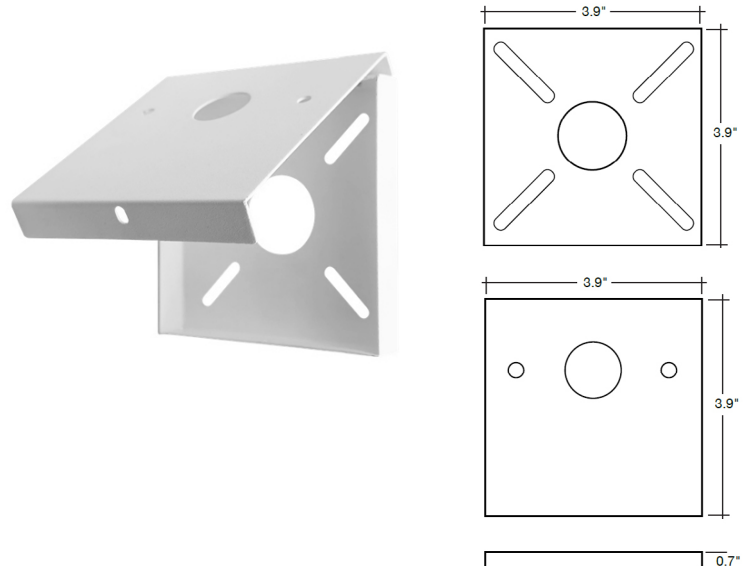
SHOWN WITH WALL MOUNT

Wall Mount (Factory Install Only)

Wall mounting brackets must be installed at the factory level. Drilling into the side of the fixture will be required.

Specify on your order:

- **WML:** power feed will be added to the left side of the fixture.
- **WMR:** power feed will be added to the right side of the fixture.



Architectural Linear Fixture Series

3-Power Selectable & 5-Color Selectable

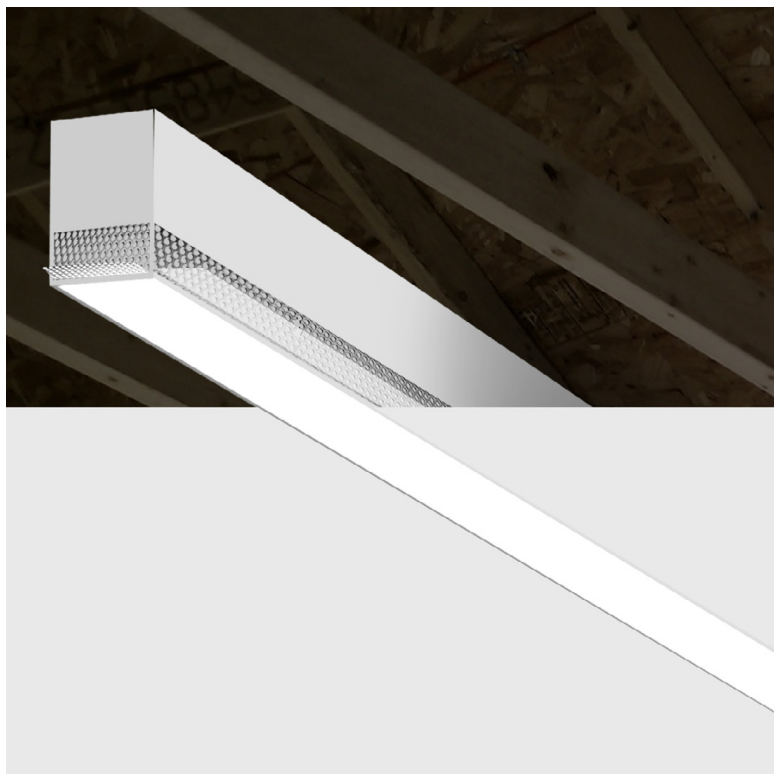
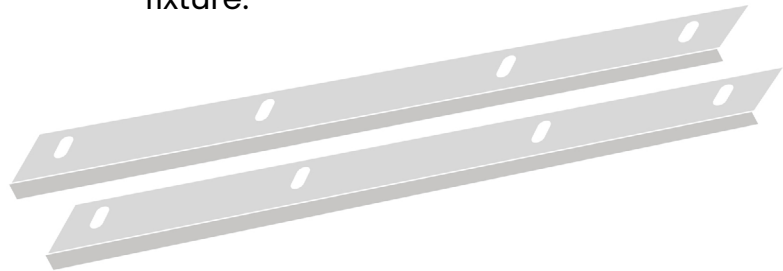
INSTALLATION METHODS



Recessed Drywall Flange Kit (Factory Install Only)

Drywall recessed flange kit must be installed at the factory level. Bracket will allow for recessed and flush installation into drywall or other hard ceiling applications. Specify on your order:

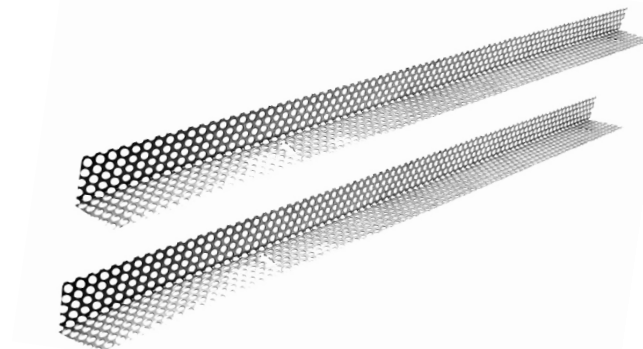
- RTK** : Trim will be installed to all 4 corners of the fixture. Ideal for stand-alone fixtures.
- RTK2**: Trim will be installed to the 2 long (length) sides of the fixture. Ideal for middle fixtures in a continuous run.
- RTK3**: Trim will be installed to the 2 long (length) and 1 short (width) of the fixture. Ideal for the start or end of a continuous run. Recessed bracket will be included with each fixture.



Wall Mount (Factory Install Only)

Bracket will allow for trimless/mud-in installation. Bracket will add a 1/16" spacing from the lens to allow room for the mud in.

- TML** : Trim will be installed to all 4 corners of the fixture. Ideal for stand-alone fixtures.
- TML2**: Trim will be installed to the 2 long (length) sides of the fixture. Ideal for middle fixtures in a continuous run.
- TML3**: Trim will be installed to the 2 long (length) and 1 short (width) of the fixture. Ideal for the start or end of a continuous run. Recessed bracket will be included with each fixture.



RECESSED TRIMLESS

Architectural Linear Fixture Series

3-Power Selectable & 5-Color Selectable

INSTALLATION METHODS



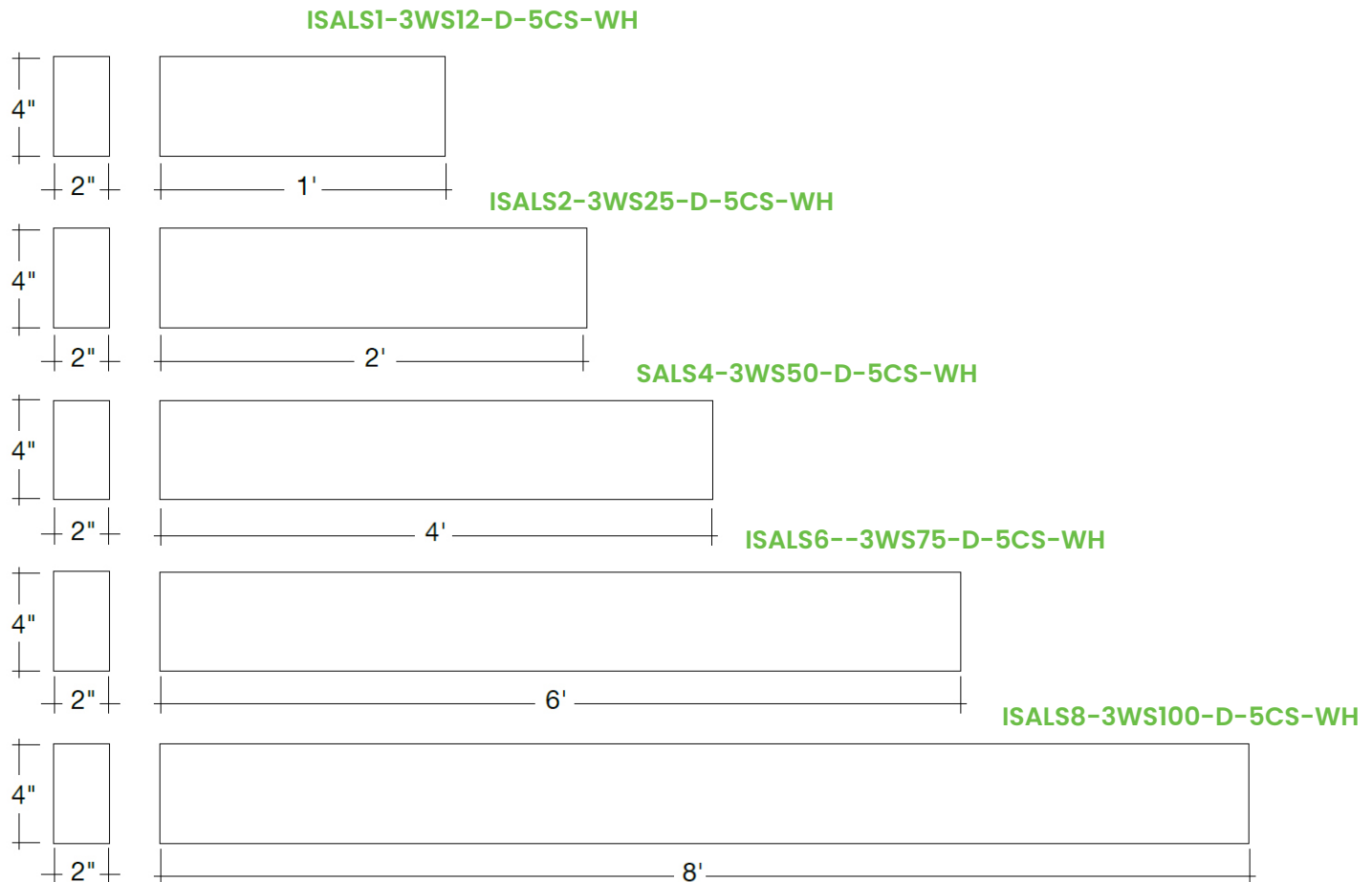
Up Light Kit

Model #'s: ISALS2-UL, ISALS4-UL

This option can be field installed but is recommended to be factory installed. Up light is only available on fixtures 2' + length. Ordering guide for field install or stock check:

MODEL #	UP LIGHT MODEL #
ISALS2-3WS25	Qty 1: ISALS-2FT-UL
ISALS4-3WS50	Qty 1: ISALS-4FT-UL
ISALS6-3WS75	Qty1: ISALS-2FT-UL
	Qty1: ISALS-4FT-UL
ISALS8-3WS100	Qty 2: ISALS-4FT-UL
ISALS-24X24-L-3P50	Qty 2: ISALS-2FT-UL
ISALS-22X10-T-3P36	Qty 2: ISALS-2FT-UL
ISALS-22X22	Qty 2: ISALS-2FT-UL

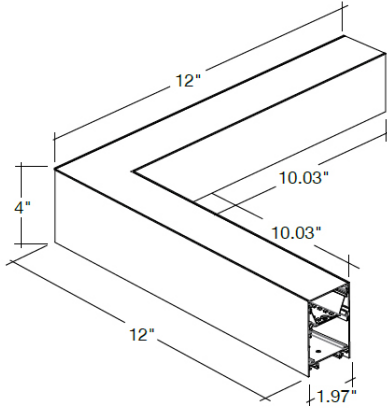
DIMENSIONS



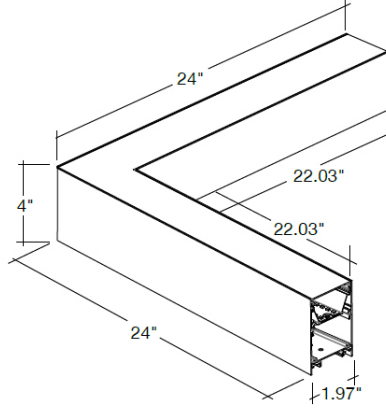
Architectural Linear Fixture Series

3-Power Selectable & 5-Color Selectable

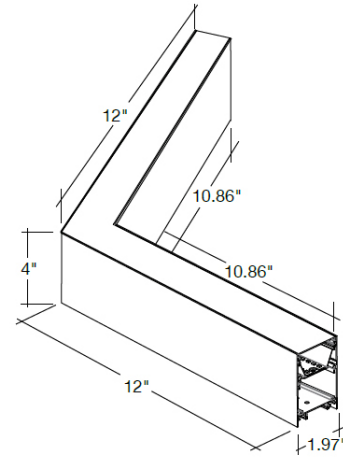
DIMENSIONS



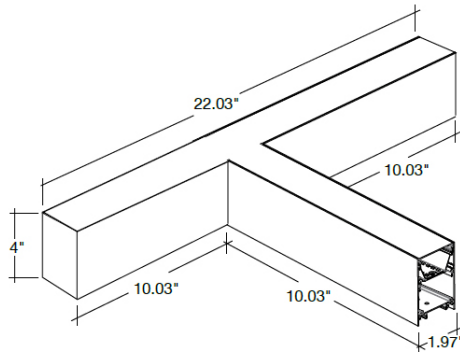
ISALS-12X12-L-3WS25-D-5CS-WH



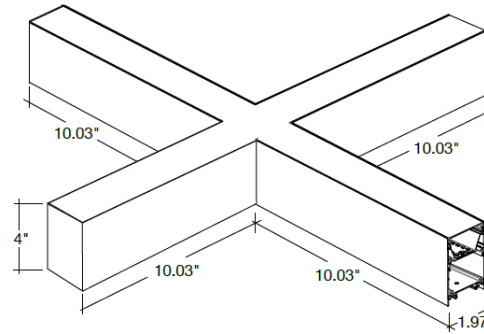
ISALS-24X24-L-3WS50-D-5CS-WH



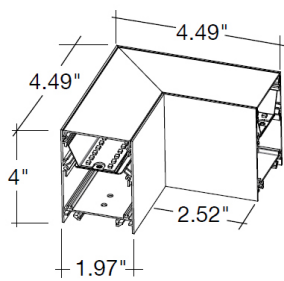
ISALS-24X24-120L-3WS50-D-5CS-WH



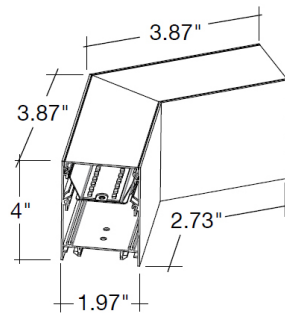
ISALS-22X10-T-3WS50-D-5CS-WH



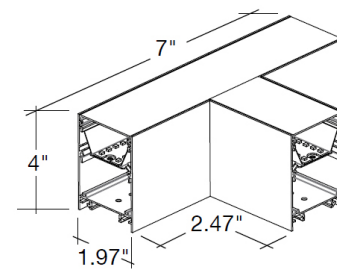
ISALS-22X22-X-3WS50-D-5CS-WH



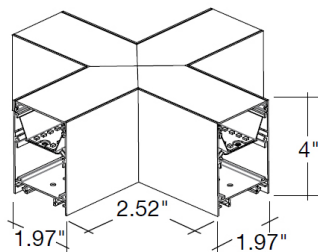
ISALS-L-D-5CS-WH



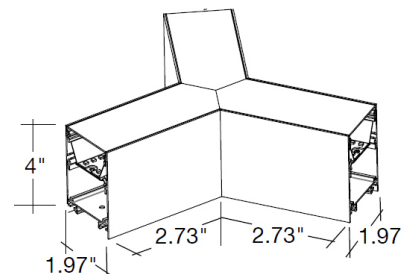
ISALS-120L-D-5CS-WH



ISALS2-T-3WS50-UD-5CS-WH



ISALS2-X-D-5CS-WH



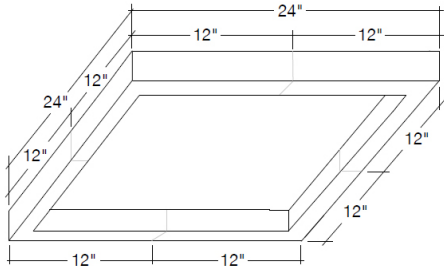
ISALS2-Y-D-5C2-WH

Architectural Linear Fixture Series

3-Power Selectable & 5-Color Selectable

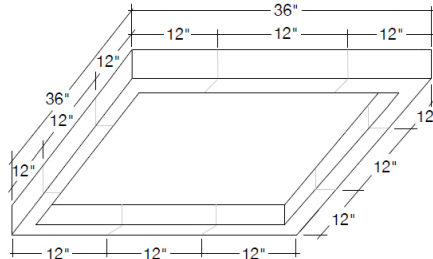
INSTALLATION METHODS

2X2



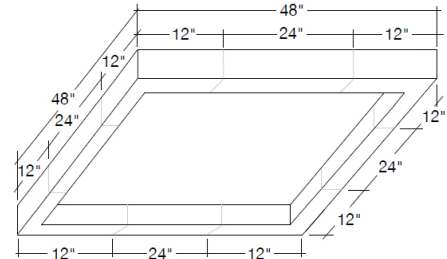
2' X 2' SQUARE	QTY.
ISALS-12X12-L-3WS25-D-5CS-WH	4

3X3

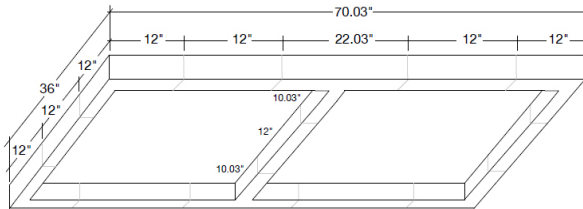


3' X 3' SQUARE	QTY.
ISALS-12X12-L-3WS25-D-5CSWH	4
ISALS-12-I-3WS12.5-D-5CS-WH	4

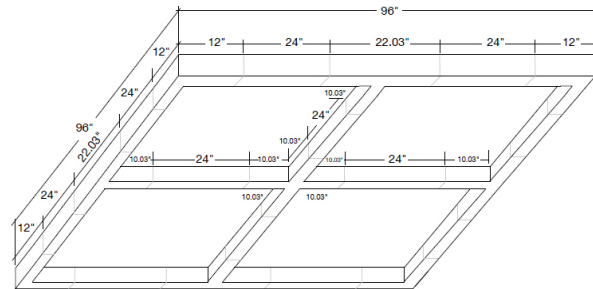
4X4



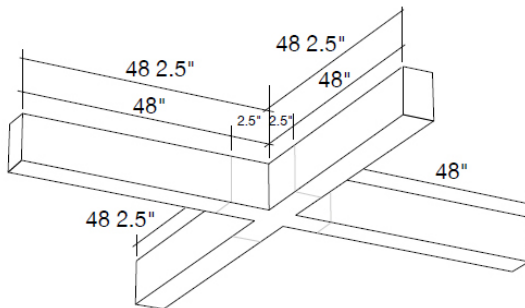
4' X 4' SQUARE	QTY.
ISALS-12X12-L-3WS25-D-5CS-WH	4
ISALS-24-I-3WS25-D-5CS-WH	4



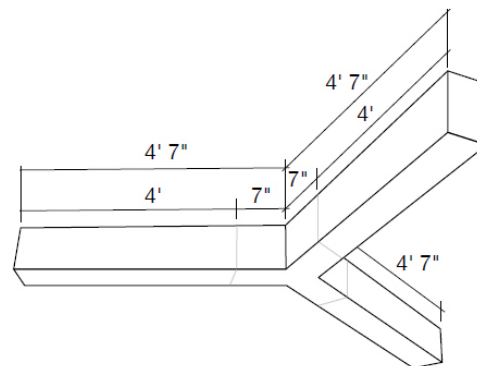
3' X 3' (2) SQUARE	QTY.
ISALS-12X12-L-3WS25-D-5CS-WH	4
ISALS-12-I-3WS12.5-D-5CS-WH	6
ISALS-22X10-T-3WS50-D-5CS-WH	2



3' X 3' (4) SQUARE	QTY.
ISALS-12X12-L-3WS25-D-5CS-WH	4
ISALS-24-I-3WS25-D-5CS-WH	10
ISALS-22X10-T-3WS50-D-5CS-WH	4
ISALS-24X24-X-3WS50-D-5CS-WH	1



8' X 8' (X SHAPE)	QTY.
ISALS-48-I-3WS50-D-5CS-WH	4
ISALS-X-D-5CS-WH	1

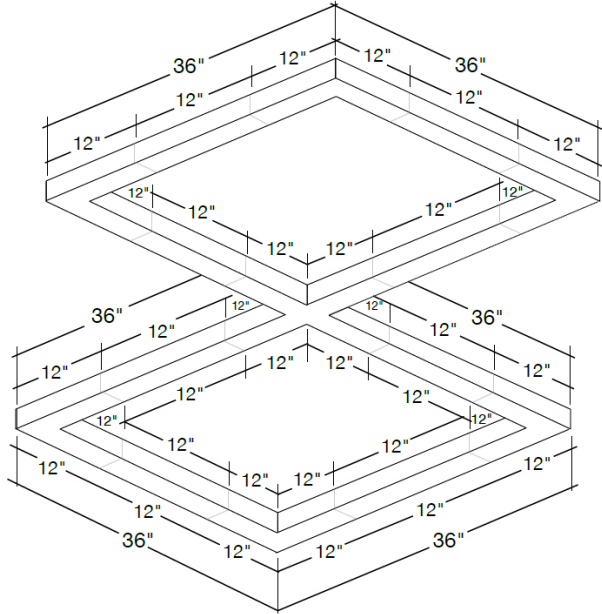


4' X 4' X 4' (Y SHAPE)	QTY.
ISALS-48-I-3WS50-D-5CS-WH	3
ISALS-Y-D-5CS-WH	1

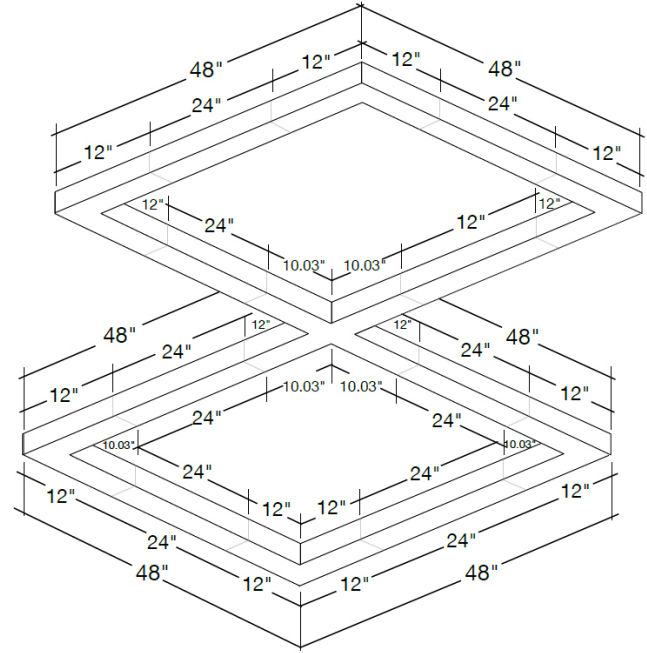
Architectural Linear Fixture Series

3-Power Selectable & 5-Color Selectable

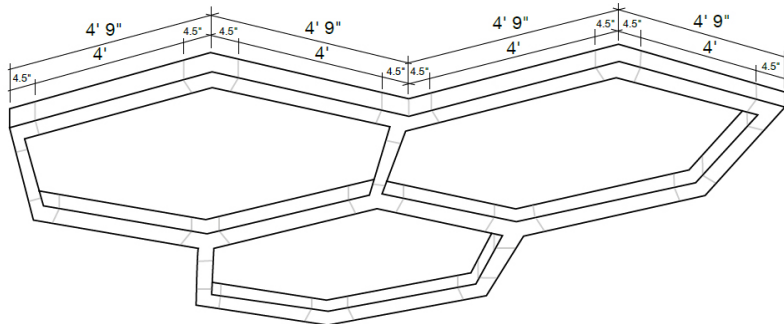
INSTALLATION METHODS



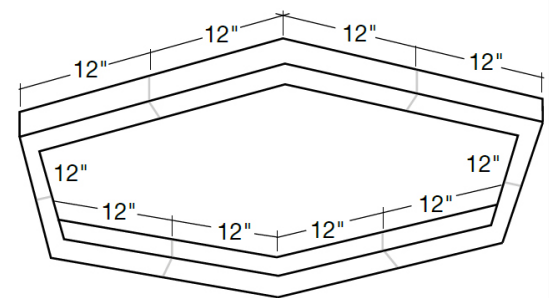
3' X 3' (2) SQUARE	QTY.
ISALS-12X12-L-3WS25-D-5CS-WH	6
ISALS-12-I-53WS12.5-D-5CS-WH	8
ISALS-24X24-X-3WS50-D-5CS-WH	1



4' X 4' (2) SQUARE	QTY.
ISALS-12X12-L-3WS25-D-5CS-WH	6
ISALS-24-I-3WS25-D-5CS-WH	8
ISALS-24X24-X-3WS50-D-5CS-WH	1



3' X 3' (3) TRIPLE OCTAGON	QTY.
ISALS-120L-D-5CS-WH	9
ISALS-48-I-3WS50-D-5CS-WH	15
ISALS-Y-D-5CS-WH	4

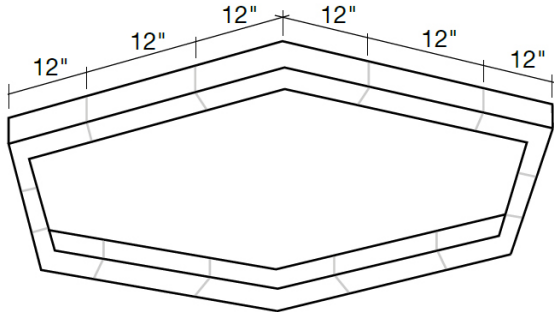


2' OCTAGON	QTY.
ISALS-12X12-120L-D-5CS-WH	6

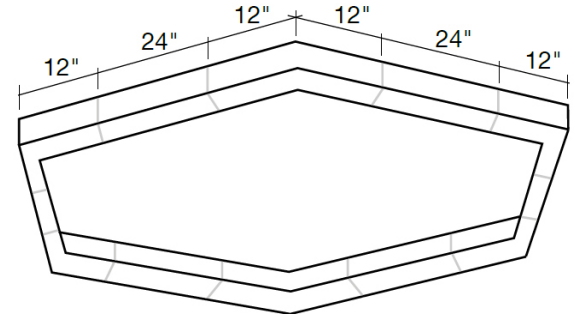
Architectural Linear Fixture Series

3-Power Selectable & 5-Color Selectable

INSTALLATION METHODS



3' OCTOGON	QTY.
ISALS-12X12-120L-D-5CS-WH	6
ISALS-12-I-3WS12.5-D-5CS-WH	6



4' OCTOGON	QTY.
ISALS-12X12-120L-D-5CS-WH	6
ISALS-24-I-3WS25-D-5CS-WH	6