



Project :

Type :

Part#:

## ISLHB Series: Linear High bays

3 Wattage Selectable & 4 Color Selectable



### IS Linear Highbay Series

#### Detail Specifications:

- Finish: White, Custom finishes available
- IP Rating: Damp Location
- Beam Angle: 110°
- Chip: SMD 2835, R9 >50, CRI >80
- 3 Step MacAdam Ellipses
- Operating Temperature: -4° - 122° F
- Lens: Ribbed
- Average life (L70) of 70,000 hours

#### Applications:

- Warehouse/Distribution Facility
- Utility & Storage
- Garage Structures
- Commercial and Industrial

#### Product Information:

- Aluminum housing finished with corrosion free power coat
- Replace existing fixtures or use in new construction
- Compact design for easier installation
- CS4 & 3-Power Selectable

#### Driver Options:

- UNV: 120-277V 0-10V Dimmable
- HV: 277-480V 0-10V Dimmable
- THD: <15% (=/-5% tolerance), PF >0.9, 50/60Hz

#### Mounting & Installations:

- 3.5' adjustable suspension kit included
- Optional 9' adjustable suspension kit available
- Optional 6' chain kit available
- Optional surface mount kit available
- Optional pendant mount kit available

#### Certifications:

- UL Listed for USA and CA
- DLC Premium Listed
- ROHS Compliant
- Approved for CA T24
- 5 Year Limited Warranty
- FCC CFR 47, GCC Part 15, Subpart B:2017w



165W, 220W, 320W  
Adjustable Lens



Angle Adjustable



440W Non-Adjustable  
Lens 3P440W

WATT	LUMENS
60	9000
110	16,500
165	24,750
180	27,000
200	30,000
220	33,000
260	39,000
290	43,500
320	48,000
380	57,000
410	61,500
440	66,000

# ISLHB Series: Linear High bays

3 Wattage Selectable & 4 Color Selectable

Series	Voltage	Whip	Optic	EMB	Optional Accessories (Order Separately)					
					Suspension Kits	Mounting Kits	Wire Guards	Whips <small>(Field Install)</small>	Sensors	Sensor Remote
<b>ISLHB1-3WS165CS4</b> 60/110/165W • 120-277V	<b>UNV</b> 120-277V	<b>(Blank)</b> No Whip	<b>(Blank)</b> 110°	<b>(Blank)</b> No Emergency	<b>ISSK-9ADJ2</b> 9' Suspension Kit	<b>ISLHB-PDM3W</b> 165W, 220W, 320W Pendant Mount Kit	<b>ISLHB1-WG</b> <b>ISLHB2-WG-220</b>	<b>ISLHB-6WHIP</b> 6' Whip	<b>ISHB-MS</b> Bi-Level Motion + Daylight Sensor (Remote Required)	<b>ISHB-MSR</b> Remote for HB01DMS-A
<b>ISLHB2-3WS220CS4</b> 180/200/220W • 120-277V	<b>HV</b> 277-480V	<b>6</b> 6ft Whip	<b>30D</b> 30°	<b>Back-Up</b> <b>EMB</b> 90 Min. Emergency Back-up	<b>ISCK-6V</b> 6' Chain Hanging Kit	<b>ISLHB-PDM3W 440</b> 440W Pendant Mount Kit	<b>ISLHB2-WG-320</b> <b>ISLHB2-WG-420</b>	<b>ISLHB-10WHIP</b> 10' Whip Custom whips to size available		
<b>ISLHB2-3WS320CS4</b> 260/290/320W • 120-277V		<b>10</b> 10ft Whip				<b>ISLHB-SM3W</b> 165W, 220W, 320W Surface Mount Kit				
<b>ISLHB2-3WS440CS4</b> 380/410/440W • 120-277V						<b>ISLHB-SM3W440</b> 440W Surface Mount Kit				

## FEATURES



## ISLHB Series: Linear High bays

3 Wattage Selectable & 4 Color Selectable

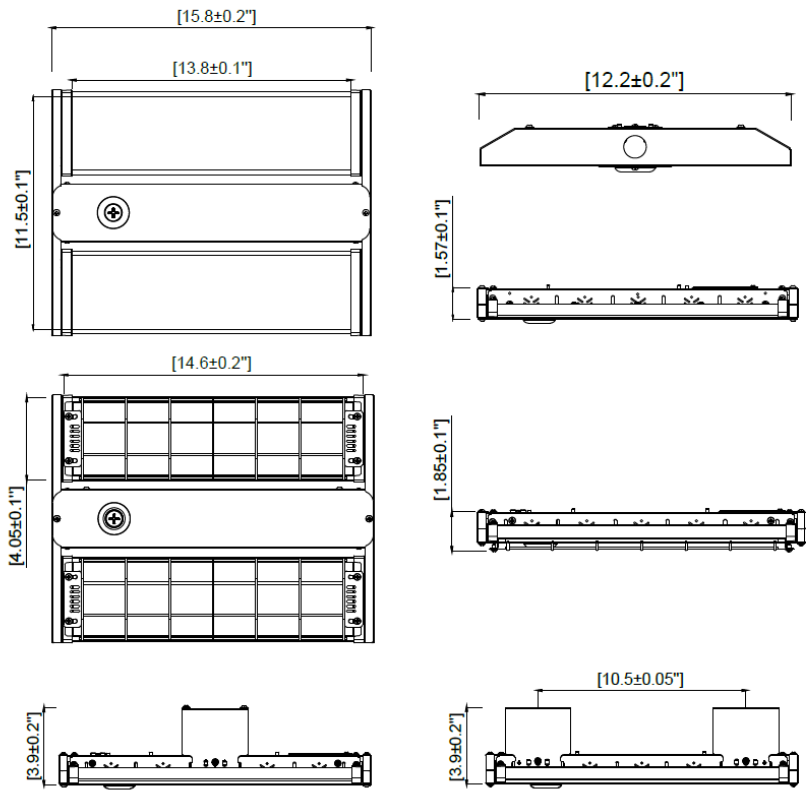
### 440W Non-Adjustable Lens



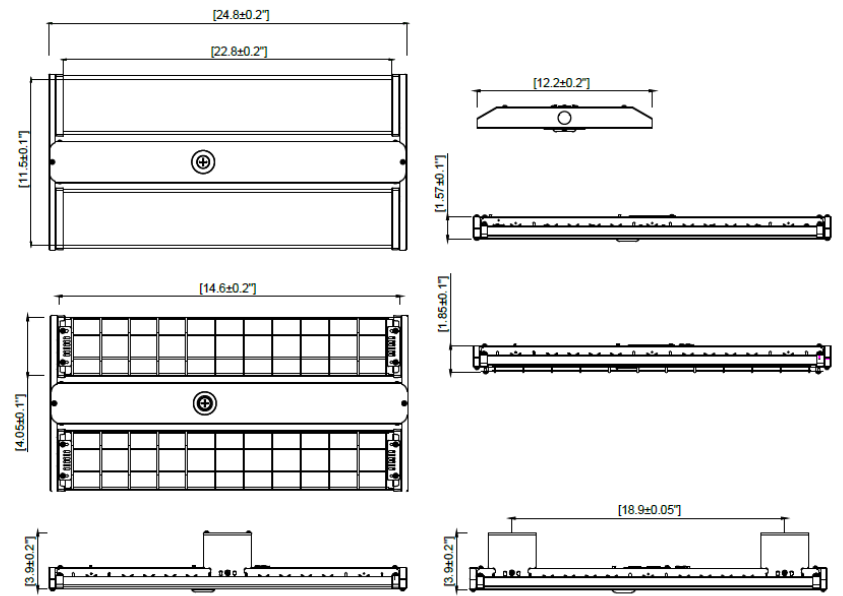
# ISLHB Series: Linear High bays

3 Wattage Selectable & 4 Color Selectable

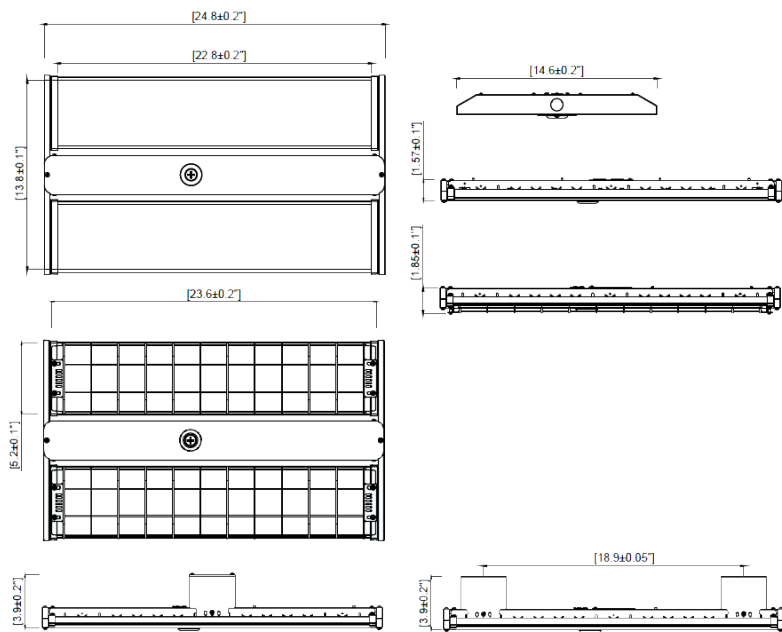
ISLHB1



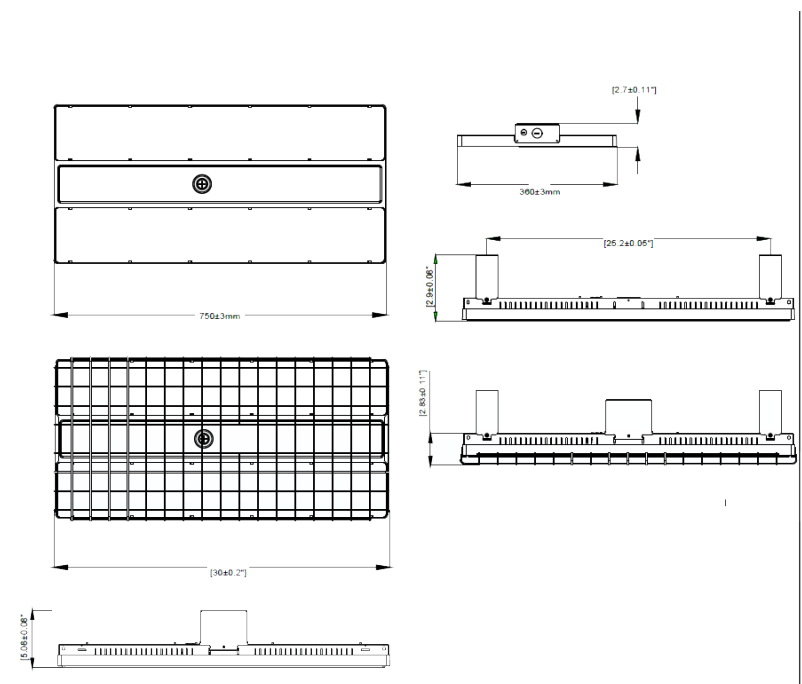
ISLHB2-220



ISLHB2-320



ISLHB2-440

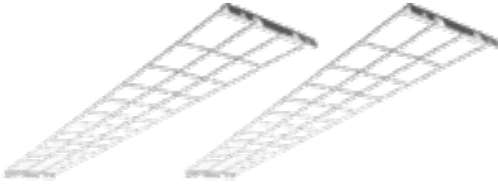




# ISLHB Series: Linear High bays

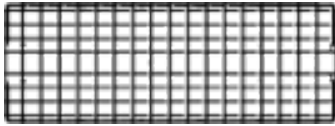
3 Wattage Selectable & 4 Color Selectable

## ACCESSORIES



**Wire Guards**  
ISLHB2-WG

Model	Voltage	Watts	Lumens	Color	CRI
ISLHB1-3WS165CS4-UNV	120-277V	60/110/165w	145lm/w	30/35/40/50k	>80
ISLHB1-3WS165CS4-HV	277-480V	60/110/165w	145lm/w	30/35/40/50k	>80
ISLHB2-3WS220CS4-UNV	120-277V	180/200/220w	145lm/w	30/35/40/50k	>80
ISLHB2-3WS220CS4-HV	277-480V	180/200/220w	145lm/w	30/35/40/50k	>80
ISLHB2-3WS320CS4-UNV	120-277V	260/290/320w	145lm/w	30/35/40/50k	>80
ISLHB2-3WS320CS4-HV	277-480V	260/290/320w	145lm/w	30/35/40/50k	>80
ISLHB2-3WS440CS4-UNV	120-277V	380/410/440w	145lm/w	30/35/40/50k	>80
ISLHB2-3WS440CS4-HV	277-480V	380/410/440w	145lm/w	30/35/40/50k	>80



**Wire Guards**  
ISLHB2-WG-420

Model	Voltage
ISCK-6V	6ft Chain Hanging Kit
ISLHB-6WHIP	6' Whip
ISLHB-10WHIP	10' Whip
ISLHB1-WG	LHB: Wire Guard 1ft
ISLHB2-WG-220	LHB: Wire Guard 2ft 220
ISLHB2-WG-320	LHB: Wire Guard 2ft 320
ISLHB2-WG-420	LHB: Wire Guard 2ft 420
ISLHB-PDM3W	LHB: Pendant mount bracket up to 320W
ISLHB-PDM3W440	LHB: Pendant mount bracket for 440w
ISLHB-SM3W	LHB: Surface mount bracket up to 320W
ISLHB-SM3W440	LHB: Surface mount bracket for 440w
ISHB-MS	A Default Setting • Brightness: 100% Hold Time: 1Min. • Stand-By Dimming Level: 20% Stand-By Time: 1 Min. • Sensitivity: 100% Daylight: Dis-able



**Suspension Kit**



**Emergency Backup**



**ISHB-MS**  
Bi-Level Motion  
Sensor and Daylight  
Harvesting Sensor



**ISLHB-PCS**  
Alternative for Photo  
Cell Sensor



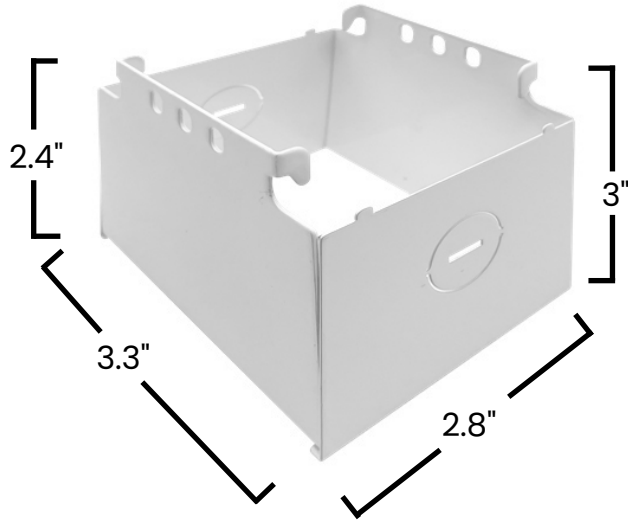
**3ft Chain-Link**



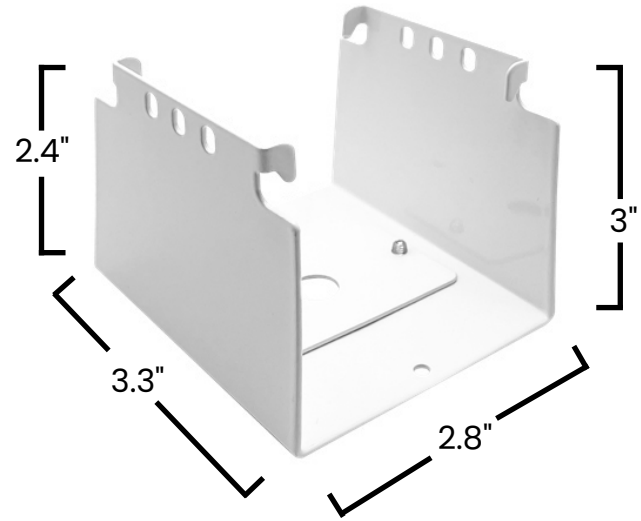
**Controller**  
HB03R

# ISLHB Series: Linear High bays

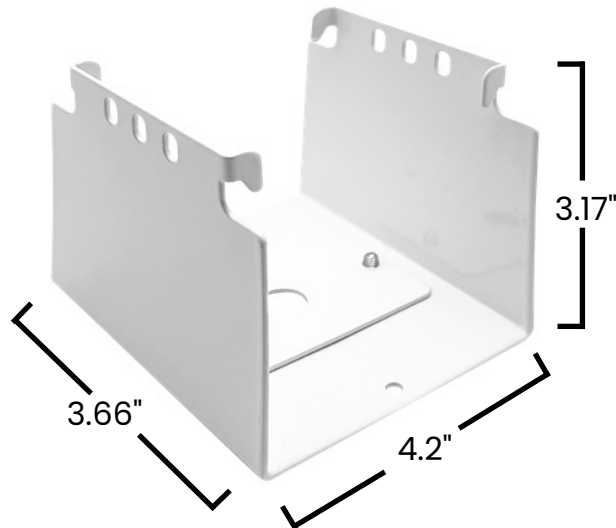
3 Wattage Selectable & 4 Color Selectable



**Pendant Mount 2ft**  
 ISLHB-PDM3W  
 ISLHB-PDM3W440  
 Center Hole Size .85"



**Surface Mount 2ft (2 Pieces)**  
 ISLHB-SM3W  
 ISLHB-SM3W440  
 Center Hole Size 1"  
 Center Hole Size w/ Plate .43"



**Surface Mount 4ft (2 Pieces)**  
 ISLHB-SM3W  
 ISLHB-SM3W440