



ISRHB Series: UFO High Bays

3-Wattage Selectable & 3-Color Selectable



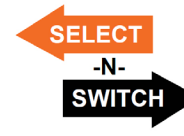
WATT	LUMENS
60	8,400
100	14,000
150	21,000
180	25,200
210	29,400
240	33,600

Project :

Type :

Part#:

UFO highbays



IS Round Highbay Series

Detail Specifications:

- Finish: Black or White
- IP Rating: Wet Location
- Beam Angle: 110°
- Chip: SMD 2835, R9 >50, CRI >80
- 3 Step MacAdam Ellipses
- Operating Temperature: -40° - 113° F
- With Sensor: -22° - 113° F
- Lens: Clear Acrylic
- Average life (L70) of 70,000 hours

Applications:

- Warehouse/Distribution Facility
- Utility & Storage
- Garage Structures
- Commercial and Industrial

Product Information:

- Sturdy die-cast aluminum housing finished with corrosion free powder coat
- Replace existing fixtures or use in new construction
- Instant-On to full brightness
- Select-n-Switch Technology: 3-CCT + 3-Power Selectable
- Twist-C Control: Control ready receptacle built into each fixture

Driver Options:

- UNV: 120-277V 0-10V Dimmable
- HV: 277-480V 0-10V Dimmable
- THD: <20% (+/-5% tolerance), PF >0.9, 50/60Hz
- Flicker Free

Mounting & Installations:

- 6' whip included
- Optional pendant mount for 1" pipe available
- Optional surface mount kits available

Certifications:

- UL Listed for USA and CA
- DLC Listed
- ROHS Compliant
- Approved for CA T24
- 5 Year Limited Warranty
- FCC CFR 47, GCC Part 15, Subpart B:2017

ISRHB Series: UFO High Bays

3-Wattage Selectable & 3-Color Selectable

Series	Finish	Whip	Voltage ¹	EMB	Surge Protector	Optional Accessories (Order Separately)						
						Sensors	Remote for Sensors	Reflector	Reflector Bottom Cover	Wire Guards	Mounting Kits ¹	Emergency ² Backup
ISRHB-3WS150CS3 60/100/150W 35/40/50K 120-277V	BL Black	6 6' Whip (Incl.)	(Blank) 120-277V	(Blank) No Emergency Backup	(Blank) 6KV Built In	ISHB-MS Bi-Level Motion + Daylight Sensor	ISHB-MSR HB0IDMS Remote	ISRHB-RFAL90-100/150 Aluminum Reflector for 100 & 150W ISRHB-RFAL90-240 Aluminum Reflector for 240W ISRHB-RFACR-100/150 90° Acrylic Reflector for 100 & 150W ISRHB-RFACR-240 90° Acrylic Reflector for 240W	ISRHB-RFACR-BC Only Works with Acrylic Lens	ISRHB-WG-100/150 Wire Guard for 100 & 150W ISRHB-WG-240 Wire Guard for 240W	ISRHB-SM-100/150 Surface Mount Kit for 100 & 150W ISRHB-SM-240 Surface Mount Kit for 240W ISRHB-PM-KIT 1" Pip Pendant Mount	ISRHB-EM-30W Pendant Emergency Backup UFO-TEST -CTR Test Button Controller
ISRHB-3WS240CS3 180/210/240W 35/40/50K 120-277V	WH White	CS Extend to Custom Length	HV 347-480V	EMB 90 Minute Emergency Backup SEMB Surface Mount 90 min Emergency Backup	20KV Surge Protector	<i>1. Reflectors and wire guards can't be mixed together. i.e. if fixture uses a reflector, it won't work with a wire guard.</i>						<i>2. Custom emergency backup option available in surface mount applications. Contact us for more information.</i>

1. HV requires assembly.

FEATURES



ISRHB Series: UFO High Bays

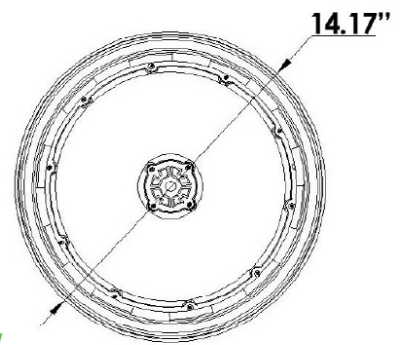
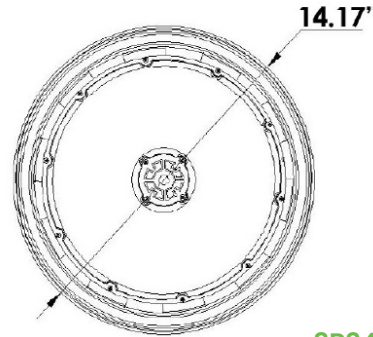
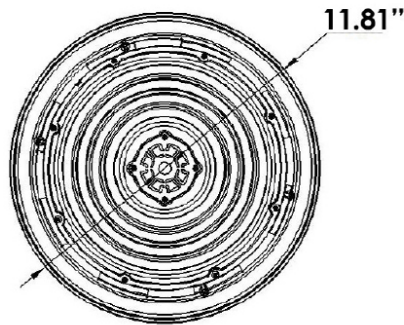
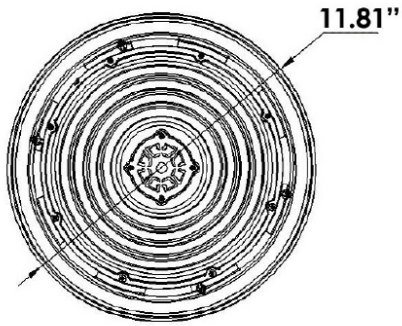
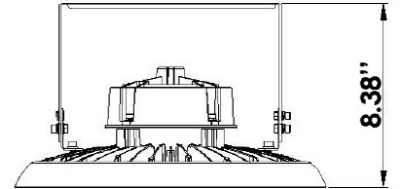
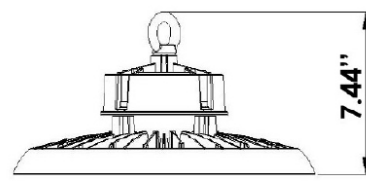
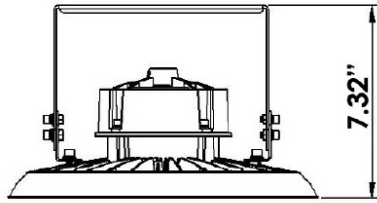
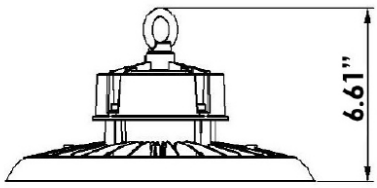
3-Wattage Selectable & 3-Color Selectable

Pendant Mount

Surface Mount

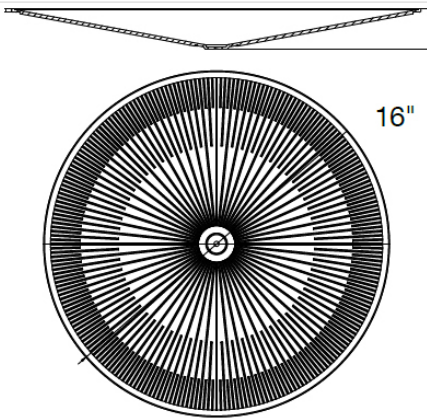
Pendant Mount

Surface Mount



3P150W

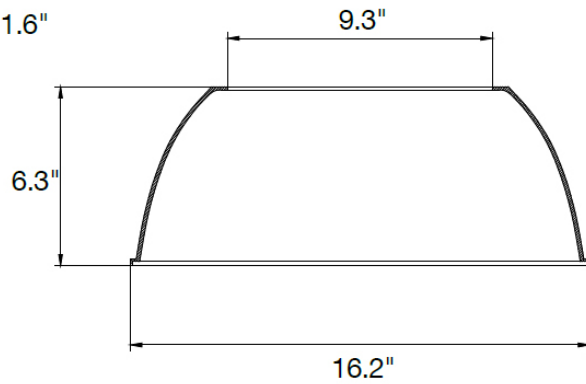
3P240W



Acrylic Bottom Cover (90°)

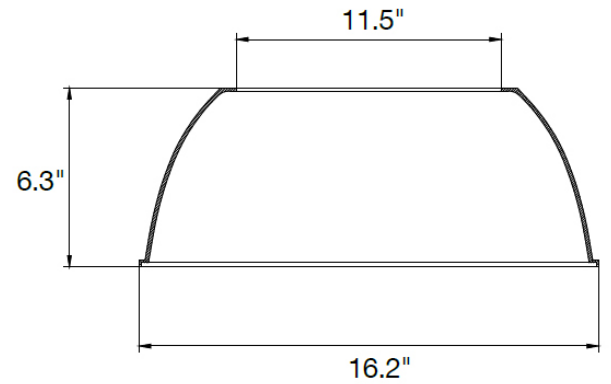
RHBR3-UNV-ACR-BC

Only Compatible with ACR



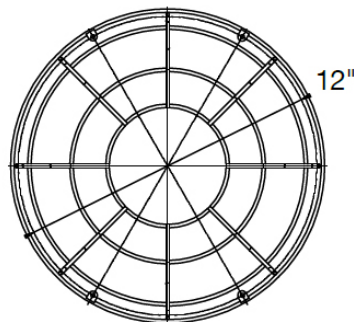
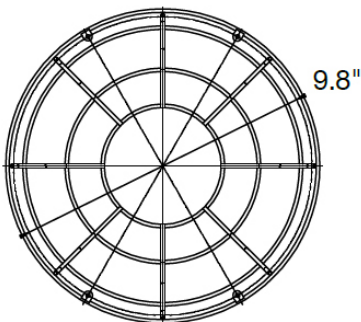
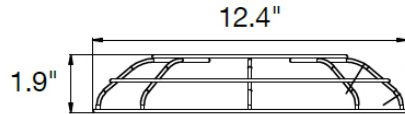
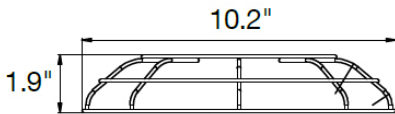
Acrylic Reflector (90°)

RHBR3-100/150-ACR-RF



Acrylic Reflector (90°)

RHBR3-240-ACR-RF

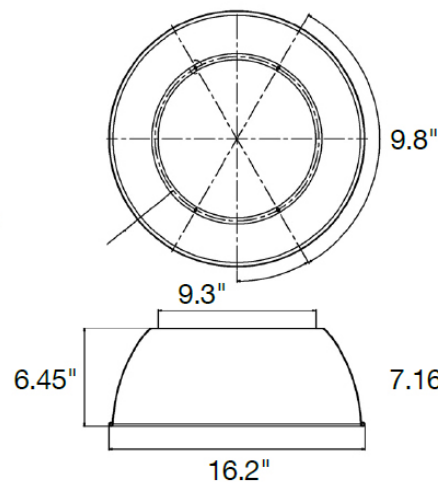


Wire Guard

RHBR3-100/150-WG

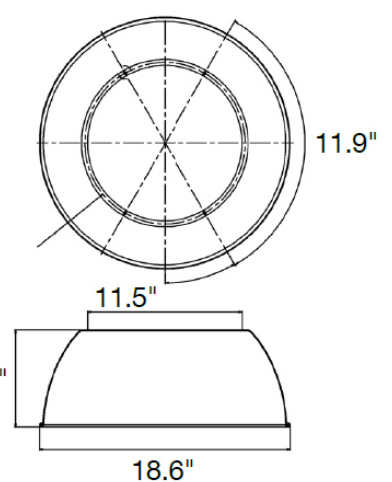
Wire Guard

RHBR3-240-WG



Aluminum Reflector

RHBR3-100/150-ALM-RF-90



Aluminum Reflector

RHBR3-240-ALM-RF-90

ISRHB Series: UFO High Bays

3-Wattage Selectable & 3-Color Selectable



ISRHB-RFAL90-100/150
ISRHB-RFAL90-240



ISRHB-RFACR-100/150 IS-
RHB-RFACR-240



ISRHB-RFACR-BC



Acrylic Reflector Bottom
Cover & Sensor



ISRHB-WG-100/150
ISRHB-WG-240



ISRHB-SM-100/150



ISRHB-EM-30W



ISRHB-SM-240
ISRHB-PMKIT



UFO-TEST-CTR



ISHB-MSR



ISHB-MS

Model	Voltage	Watts	Lumens	Color	CRI
ISRHB-3WS150CS3-BL	120-277V	60/100/150w	130lm/w	35/40/35k	>80
ISRHB-3WS150CS3-WH	120-277V	60/100/150w	130lm/w	35/40/35k	>80
ISRHB-3WS240CS3-BL	120-277V	180/210/240w	130lm/w	35/40/35k	>80
ISRHB-3WS240CS3-WH	120-277V	180/210/240w	130lm/w	35/40/35k	>80

REFLECTORS

Accessory Model	Description
ISRHB-RFAL90-100/150	90° Aluminum reflector for 100 & 150W
ISRHB-RFAL90-240	90° Aluminum reflector for 240W
ISRHB-RFACR-100/150	90° Acrylic reflector for 100 & 150W
ISRHB-RFACR-240	90° Acrylic reflector for 240W

REFLECTOR BOTTOM COVERS

Accessory Model	Description
ISRHB-RFACR-BC	Acrylic Bottom Cover 90°

WIRE GUARDS

Accessory Model	Description
ISRHB-WG-100/150	Wire guard for 100 & 150W
ISRHB-WG-240	Wire guard for 240W

MOUNTING KITS'

Accessory Model	Description
ISRHB-SM-100/150	Pendant Mount Hook 1" Pipe
ISRHB-SM-240	100/150w Surface Mount
ISRHB-PMKIT	240w Surface Mount

EMERGENCY BACKUP

Accessory Model	Description
ISRHB-EM-30W	Pendant Emergency Backup
UFO-TEST-CTR	Test Button Controller

REMOTE CONTROL

Accessory Model	Description
ISHB-MSR	Remote for HB-Line Series

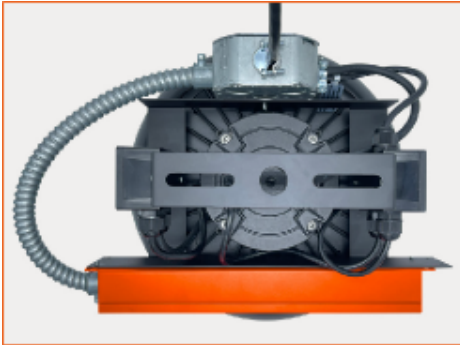
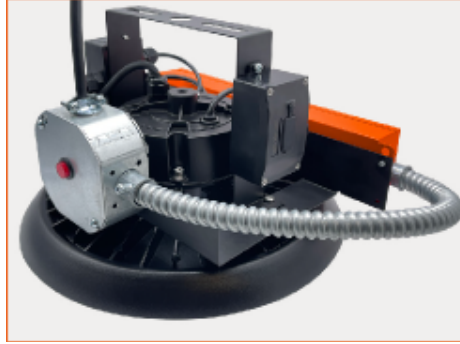
SENSOR

Accessory Model	Description
ISHB-MS	A Default Setting • Brightness: 100% Hold Time: 1Min. • Stand-By Dimming Level: 20% • Stand-By Time: 1 Min. Sensitivity: 100% • Daylight: Disable

ISRHB Series: UFO High Bays

3-Wattage Selectable & 3-Color Selectable

White Background



EM - White Background

