



Vapor Tight Series

4-Color Selectable



WATT	LUMENS
15	1,950
20	2,600
25	3,250
30	3,900
40	5,200
50	6,500
60	7,800
70	9,100
80	10,400
90	11,700
100	13,000

Project :

Type :

Part#:

IS Vapor Tight Series

Detail Specifications:

- Finish: Gray
- IP Rating: IP65 Wet Location
- Beam Angle: 130°
- Chip: SMD 2835, R9 >50, CRI >80
- 3 Step MacAdam Ellipses
- Operating Temperature: -40° - 122° F
- Lens: Round PMMA Frosted Lens
- Average life (L70) of 50,000 hours

Applications:

- Stairwell & Hallways
- Vandal Proof or Harsh Weather
- Utility & Storage
- Garage Structures
- Shop Lighting, Carports, Barns
- Commercial and Industrial

Product Information:

- Plastic injection non-rust housing with internal metal heat sink
- Anti-rust stainless steel mounting clips
- Easy j-box access: snap on and off tool-less design
- Select-n-Switch Technology: 4-CCT + 3-Power Selectable

Driver Options:

- UNV: 120-277V 0-10V Dimmable
- Optional 347-480V step down transformer available
- THD: <20% (+/-5% tolerance), PF >0.9, 50/60Hz
- Flicker Free

Mounting & Installations:

- Surface mount into 30 or 40 j-box
- Optional 9' suspension kit available

Certifications:

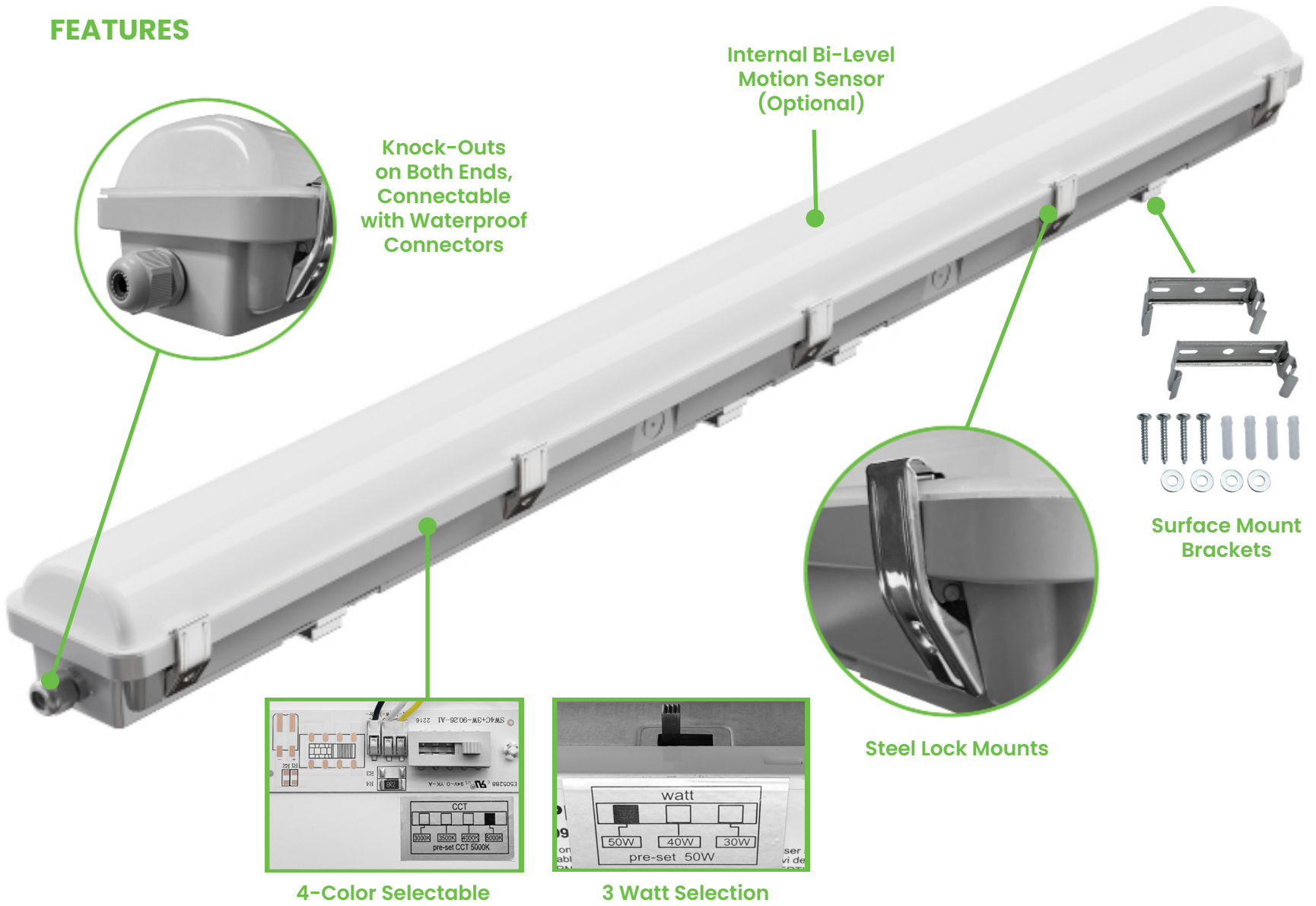
- ETL Listed for USA and CA
- DLC Premium Listed
- NSF Rated
- Approved for CA T24
- Approved for NYC & Chicago Applications
- 5 Year Limited Warranty
- FCC CFR 47, GCC Part 15, Subpart B:2017

Series	Sensor	Emergency	Driver ¹	Optional Accessories (Order Separately)	
ISVPT2-3WS25CS4 15/20/25W • 30/35/40/50K ISVPT4-3WS50CS4 30/40/50W • 30/35/40/50K ISVPT4-3WS80CS4 60/70/80W • 30/35/40/50K ISVPT8-3WS100CS4 80/90/100W • 30/35/40/50K	BMS Bi-Level Motion + Daylight Sensor	EMB Emergency Backup	(Blank) 120-277V HV 347-480V Stepdown	Suspension Kit ISSK-9ADJ2 9' Suspension Kit	Wire Guards¹ ISVPT-WG2 2ft Wire Guard ISVPT-WG4 4ft Wire Guard
<small>1. HV: High voltage is made to order</small>				<small>1. Wire guards are made to order. Available locally</small>	

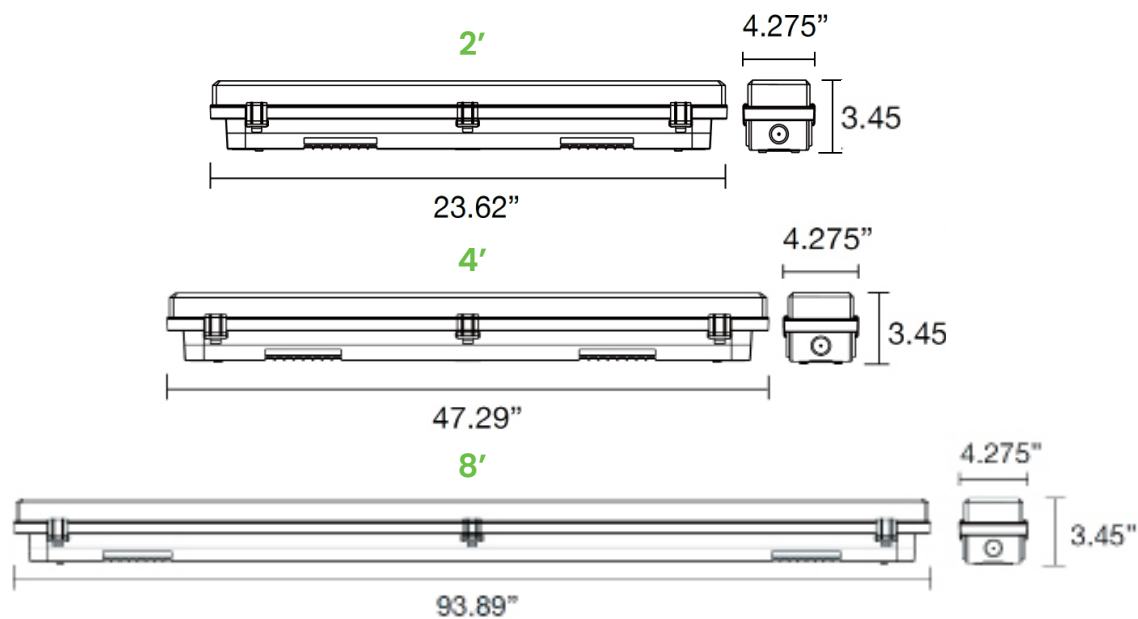
Vapor Tight Series

4-Color Selectable

FEATURES



DIMENSIONS



Vapor Tight Series

4-Color Selectable

ACCESSORIES

Model	Voltage	Watts	Lumens	Color	CRI
ISVPT2-3WS25CS4	120-277V	20/30/35w	130lm/w	30/35/40/50K	>80
ISVPT4-3WS50CS4	120-277V	30/40/50W	130lm/w	30/35/40/50K	>80
ISVPT4-3WS80CS4	120-277V	60/70/80w	130lm/w	30/35/40/50k	>80
ISVPT8-3WS100CS4	120-277V	80/90/100w	130lm/w	30/35/40/50k	>80

ACCESSORIES

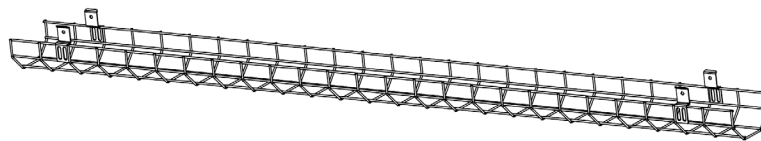
Model	Description
ISSK-9ADJ2	9' Suspension Kit



ISSK-9ADJ2

WIRE GUARDS

Model	Description
ISVPT-WG2	2ft Wire Guard
ISVPT-WG4	4ft Wire Guard (order 2 for 8ft fixtures)



ISVPT-WG2
ISVPT-WG4