



Project :

Type :

Part#:

## Sports Lighting – Concrete Poles

### Sports Lighting Technical Chart

CATALOG NUMBER SMOOTH GRAY	MOUNTING HEIGHT (ft)	POLE WEIGHT (lbs)	OVERALL LENGTH (ft)	POLE SIZE (in)		EPA AT POLE TIP (sq. ft.)					ULTIMATE GROUNDLINE MOMENT (ft. lbs)
				TIP	BUTT	90 MPH	110 MPH	130 MPH	140 MPH	160 MPH	
453502	37	4,4574	45	6.00	13.31	134	84	55	45	31	106,100
454502	37	6,116	45	7.62	14.94	184	116	77	64	44	143,300
503502	42	5,538	50	6.00	14.13	132	82	53	43	28	124,000
504502	42	7,318	50	7.62	15.75	178	111	73	60	40	164,700
553502	46	6,618	55	6.00	14.94	130	80	51	41	26	139,200
554502	46	8,648	55	7.62	16.56	173	107	69	56	37	182,100
603502	51	7,820	60	6.00	15.75	129	78	49	39	24	159,400
604502	51	10,116	60	7.62	17.38	166	101	64	51	32	202,100
653502	55	9,151	65	6.00	16.56	129	77	47	37	22	176,900
703502	60	10,617	70	6.00	17.38	126	74	44	34	19	197,500

#### Notes:

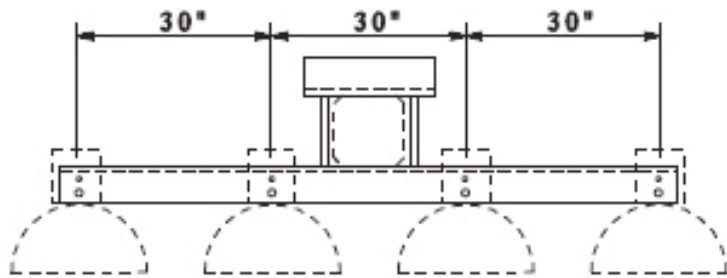
1. EPAs shown do not include cross arm. Please refer to the Cross Arm Bracket Technical Chart for cross arm EPA.
2. Above values are based on an assumed minimum embedment of 10% of the length plus 3 feet.

### Cross Arm Bracket Technical Chart

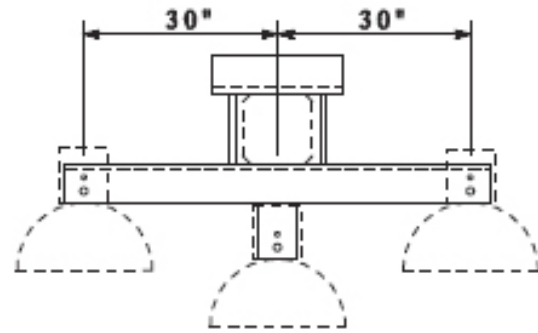
CATALOG NUMBER	TYPE	ASSEMBLY WEIGHT (lbs)	ANGLE EPA (sq ft)	MAXIMUM INDIVIDUAL FIXTURE SIZE	
				EPA (sq. ft.)	WEIGHT (lbs)
962839	2 LIGHT	35	1.5	3.5	75
963859	3	66	2.8	3.5	75
964889	4	78	4.0	3.5	75
9658109	5	155	7.5	3.5	75
9668139	6	175	9.3	3.5	75
703502	60	10,617	70	6.00	17.38

Angles and bolts for cross arms to be hot dipped galvanized unless otherwise specified by customer

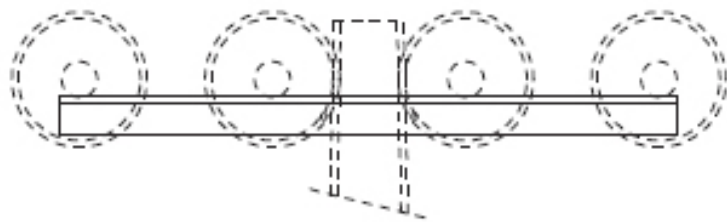
## Sports Lighting – Concrete Poles



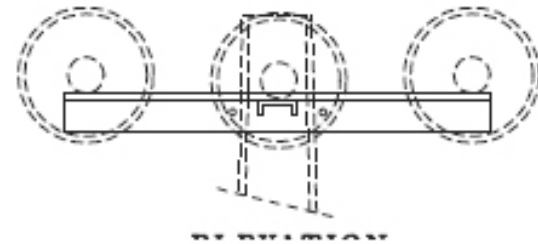
PLAN



PLAN



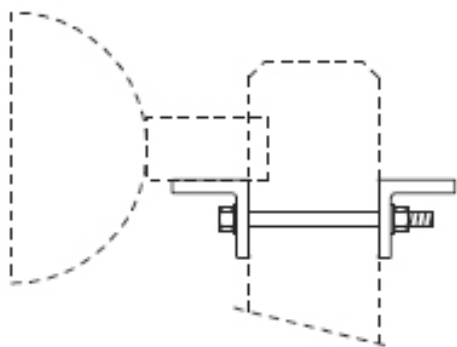
ELEVATION



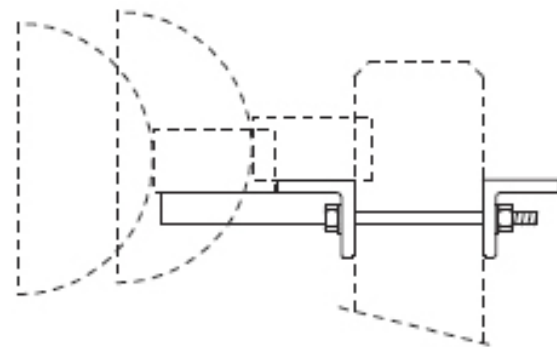
ELEVATION

TYPICAL LAYOUT FOR EVEN NUMBER OF FIXTURES.  
FIXTURE ARRANGEMENT TYPICAL FOR ONE OR BOTH SIDES OF POLE.

TYPICAL LAYOUT FOR ODD NUMBER OF FIXTURES.  
FIXTURE ARRANGEMENT TYPICAL FOR ONE OR BOTH SIDES OF POLE.



SIDE VIEW



SIDE VIEW