



Project :

Type :

Part#:

FLOOR-MOUNTED AC CHARGING PILE

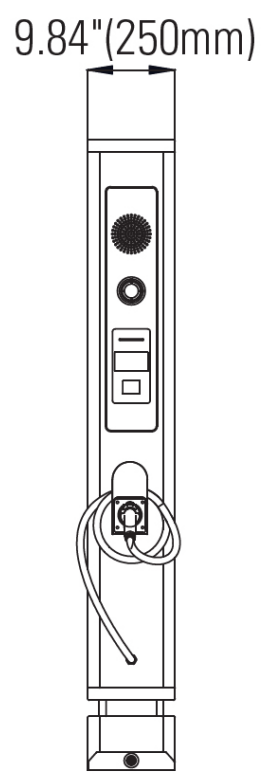
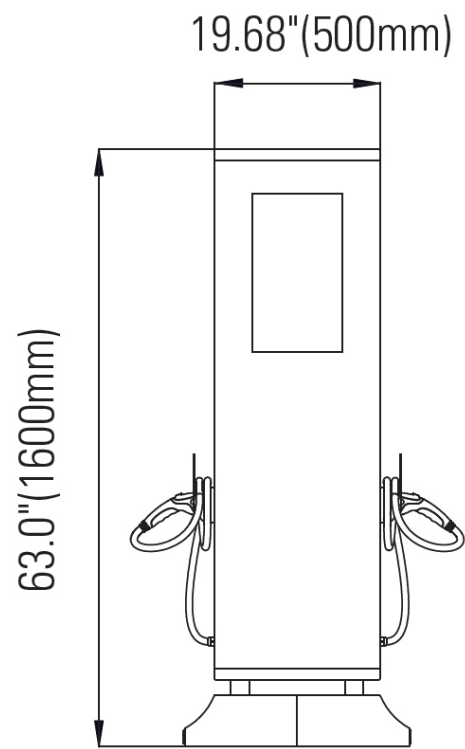
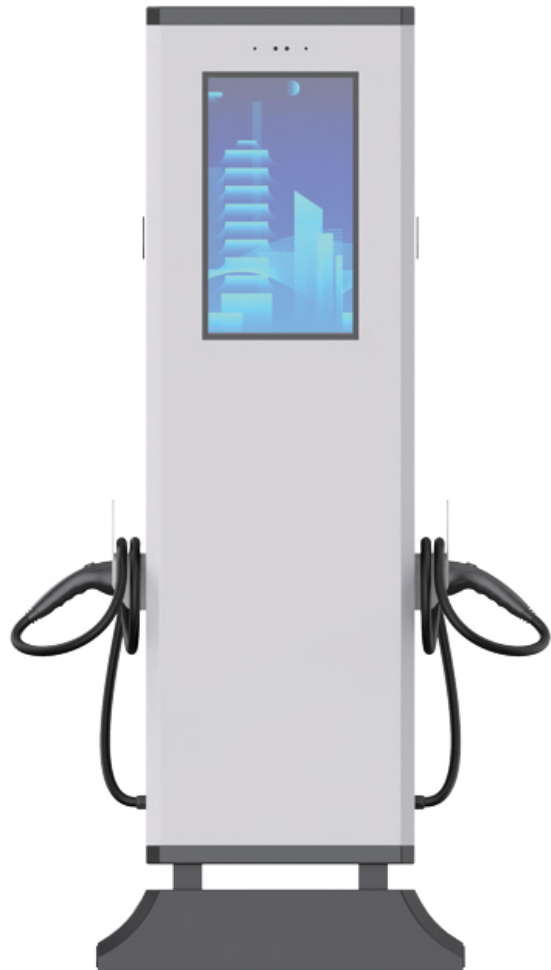
11.5KW



PRODUCT DESCRIPTION

- Wall-mounted AC charging pile is mainly used for AC slow charging of electric vehicles.
- It has good dust-proof and waterproof functions, and the protection level reaches 3A.
- It can work safely indoors and outdoors (with a rain-proof shed).
- Application: Residential charging and commercial charging.
- The product integrates charging control and guidance, human-computer interaction control, communication, billing and metering, and other functions.

FLOOR-MOUNTED AC CHARGING PILE
11.5KW



FLOOR-MOUNTED AC CHARGING PILE

11.5KW

SPECIFICATIONS

Power Coefcient	
Product power	11.5KW*2
Maximum Output Current	48A*2
Input voltage	100-240VAC, 120-250VAC
Input Frequency	47~63HZ
Working Temperature	-25°C~55°C (-13 °F~131°F)
Relative Humidity	≤95%
Input line Number	Three Lines -L1, N, Earth wire
Operational Environment	Outdoor (with canopy), indoor
Usage Occasion	Residential and commercial charging
Installation Method	Floor-standing
Number of Interfaces	2 (line length 5m), customizable charging gun line ≤7.5m
Size(H×W×D)	63.0"X19.68"X9.84" (1600X500X250mm)
Product Weight	70KG
Man-Machine Interaction and Startup Method	
Charging Method	Standard: Ofine card swiping, Password charging, Plug and charge Optional: Online card swiping, Online APP code scanning
Optional Communication Method	Standard: Ethernet, WIF Optional: Bluetooth, 4G
Safety design	Leakage Protection, Overvoltage Protection, Overcurrent Protection, Under voltage Protection, Emergency-stop Protection, Automatically stop charging when fully charged, Short circuit Protection, Over-temperature Protection
Display screen	Operation panel: 7-inch touch screen Advertising screen: 21.5-inch LCD advertising screen (Support USB, WIFI, Ethernet, 4G)