

## PORTABLE ENERGY STORAGE

700KW/1200KW/2000KW



### PRODUCT DESCRIPTION

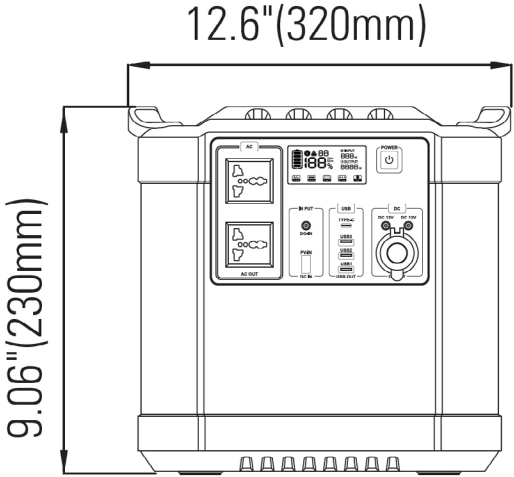
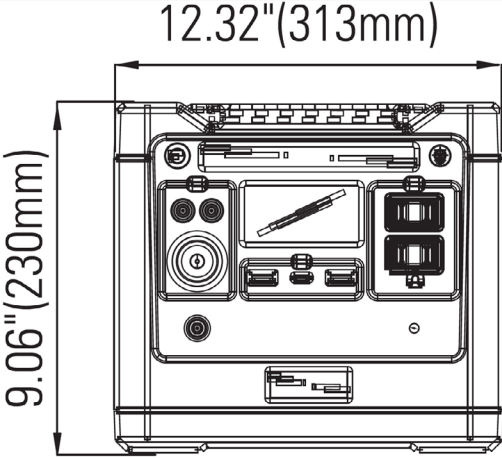
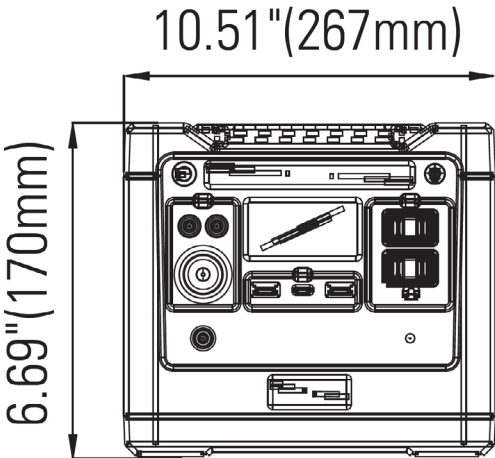
- Pure sine wave AC, safer for sensitive electronic products. 12V DC regulated, constant voltage output, not affected by battery power. 2 12V DC output ports, 1 12V car charging port, suitable for most products.
- Smart screens provide more information than others: input/output wattage, charging time, runtime, battery level, and more.
- USB supports QC3.0 fast charging protocol, and the charging speed of electronic products is increased by 70%.can power larger devices like tablets and laptops.
- Multiple charging methods: It can also be charged by solar, municipal voltage, car port or generator.
- Multi-port output design, outdoor uninterrupted power supply, your outdoor large-capacity power supply station can meet the outdoor power supply needs of various equipment and make your outdoor activities more comfortable.
- Safety design: Overvoltage Protection, Overcurrent Protection, Under voltage Protection, Automatically stop charging when fully charged, Short circuit Protection, Reverse connection protection, Over-temperature Protection.



256-801-9825

# PORTABLE ENERGY STORAGE

700KW/1200KW/2000KW



**PORTABLE ENERGY STORAGE**  
700KW/1200KW/2000KW

**SPECIFICATIONS**

<b>Power Coefcient</b>			
Product Power	700W	1200W	2000W
Peak Power	1400W	2400W	5000W
Battery capacity	168000mAH	350000mAH	600000mAH
Power adapter	DC 19V/4.74A	DC 19V/13.15A	DC 25.5V/8A
Dimension	10.51"X6.69"X8.66" 267X170X220mm	12.32"X9.06"X8.11" 313X230X206mm	12.6"X9.06"X13.19" 320X230X330mm
Product weight	6.57KG	11KG	21.5KG
<b>Output</b>			
AC Output	100V~120V or 220V~240V, 230VAC, Pure sine wave		
DC Output	12V/8A		
USB Output	5~9V/2.4A (QC3.0)		
Type-C Output	5V/3A, 9V/3A, 12V/3A,15V/3A, 20V/3A		
<b>Input</b>			
Solar Charge Input	12V/24V 8A max		
Car Charge Input	18V~30V 8A max		
Operation Temperature	-0°C-45°C(32°F-113°F)		