



Project :

Type :

Part#:

## WALL-MOUNTED AC CHARGING PILE

Optional wattage range: 6-11.5KW

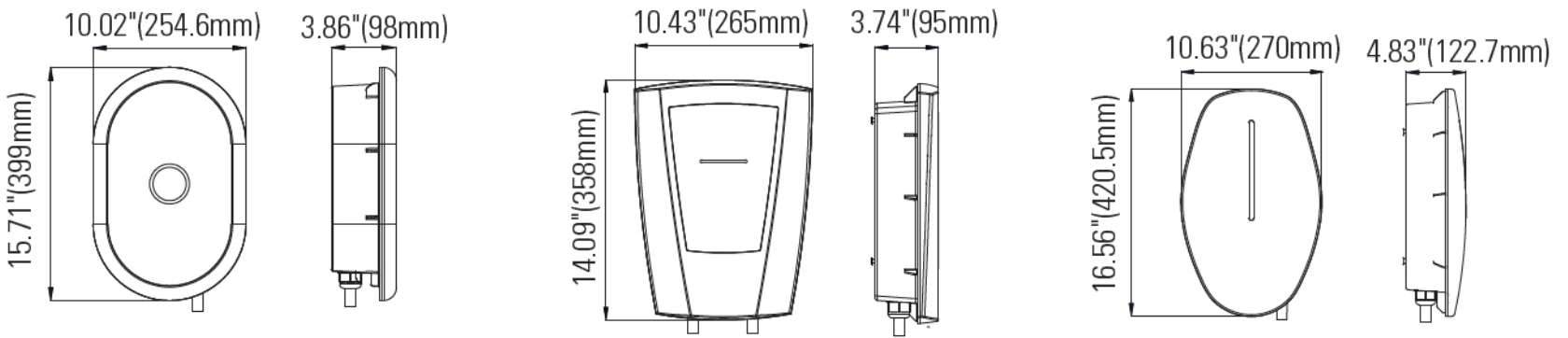


### PRODUCT DESCRIPTION

- Wall-mounted AC charging pile is mainly used for AC slow charging of electric vehicles.
- It has good dust-proof and waterproof functions, and the protection level reaches 4.
- It can work safely indoors and outdoors (with a rain-proof shed).
- Application: Residential charging
- Instructions: Plug and charge, it starts charging when plugged in, and automatically stops when fully charged, which is economical.

**WALL-MOUNTED AC CHARGING PILE**

Optional wattage range: 6-11.5KW



## WALL-MOUNTED AC CHARGING PILE

Optional wattage range: 6-11.5KW

### SPECIFICATIONS

Power Coefcient	
Product power	6KW-11.5KW optional
Maximum Output Current	32A, 40A, 48A
Input voltage	100-240VAC, 120-250VAC
Input Frequency	47~63HZ
Working Temperature	-25°C~55°C (-13 °F~131°F)
Relative Humidity	≤95%
Input line Number	Three Lines -L1, N, Earth wire
Operational Environment	Outdoor (with canopy), indoor
Usage Occasion	Residential charging
Installation Method	Wall-mounted(standard), Floor-standing (optional)
Number of Interfaces	1 (line length 5m), customizable charging gun line ≤7.5m
Size(H×W×D)	15.71"X10.02"X3.86" (399X254.6X98mm)
Product Weight	7KG
Man-Machine Interaction and Startup Method	
Charging Method	Standard: Plug and charge Optional: Online APP code scanning
Optional Communication Method	Ethernet, Bluetooth, 4G
Safety design	Leakage Protection, Overvoltage Protection, Overcurrent Protection, Under voltage Protection, Emergency-stop Protection, Automatically stop charging when fully charged, Short circuit Protection, Over-temperature Protection
Display screen	NO