

OUTDOOR LIGHT

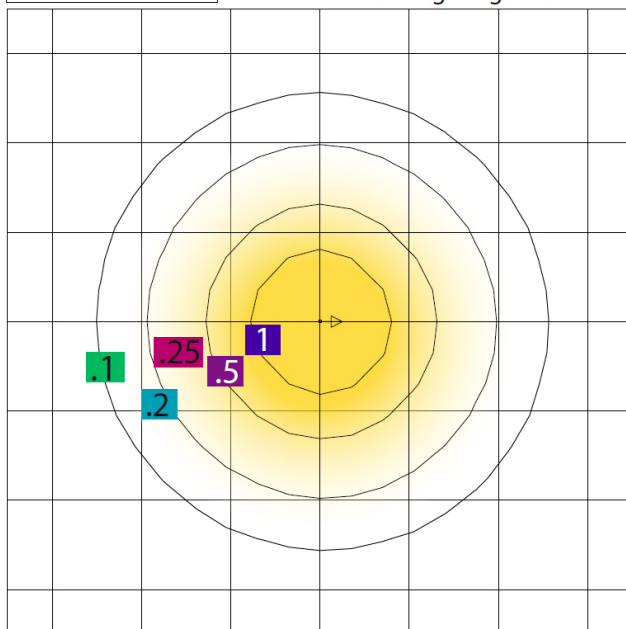
ISOWS-12CCT

WALL LIGHT



PHOTOMETRY

ISOWS-12CCT
Mounting Height=8.00 FT



SCALE: 1 INCH = 8 FT.
LIGHT LOSS FACTOR = 1.00

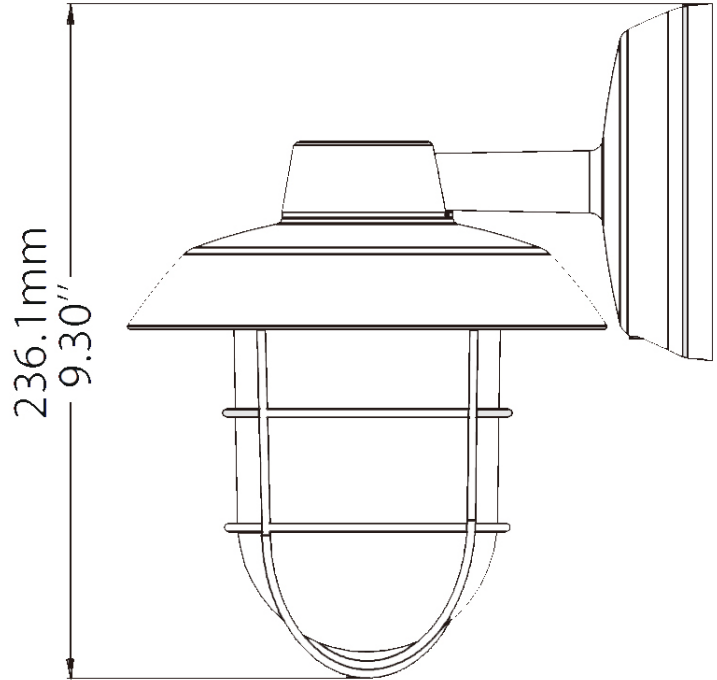
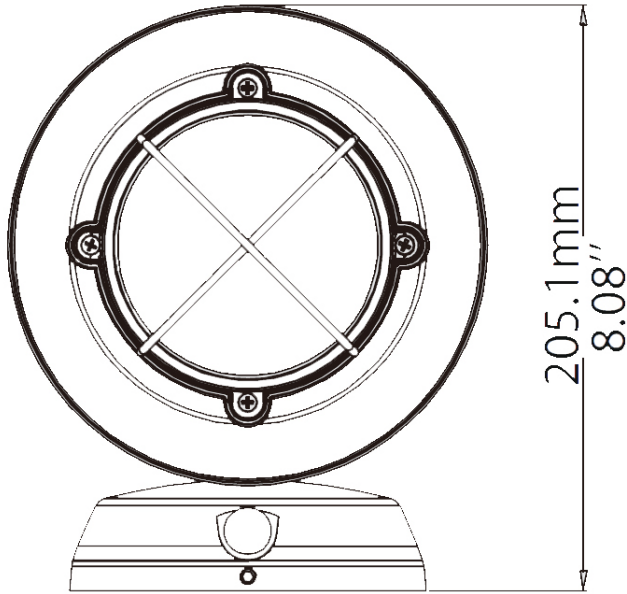
MAXIMUM CALCULATED VALUE = 1.50 FC
FOOT CANDLE= **1 .2 .25 .5 1**

- Impact & weather resistant fixture with pre-cast aluminum housings and lenses. Glarefree and frosted lens for an inviting and even light distribution
- Universal mounting plate with integral wirehooks for easy hands free installation. Pivot arm for ceiling mount and wall mount
- Photocell included with optional photocell cover
- 3000K, 4000K, 5000K adjustable
- Name brand chip and DOB technology @ 5 year warranty

OUTDOOR LIGHT

ISOWS-12CCT

NOMENCLATURE	LUMENS (LM)	EFFICACY (LPW)	INPUT VOLTAGE	CRI	DISTRIBUTION	EQUIVALENCY (W)	OPERATING TEMP	WARRANTY
ISOWS-12CCT	1000LM	UP TO 85LPW	120V	>80	N/A	35W MH	-30-40 C	5 YEARS



MODEL	WATTAGE	CCT	VOLTAGE	DIMMING OPTION	OPTIONS	HOUSING FINISH
ISOWS-12CCT	12W	AD = CCT Adjustable	120V	Non-Dimming	Photocell	BZ = Bronze WH = White BK = Black SL = Silver GY = Gray