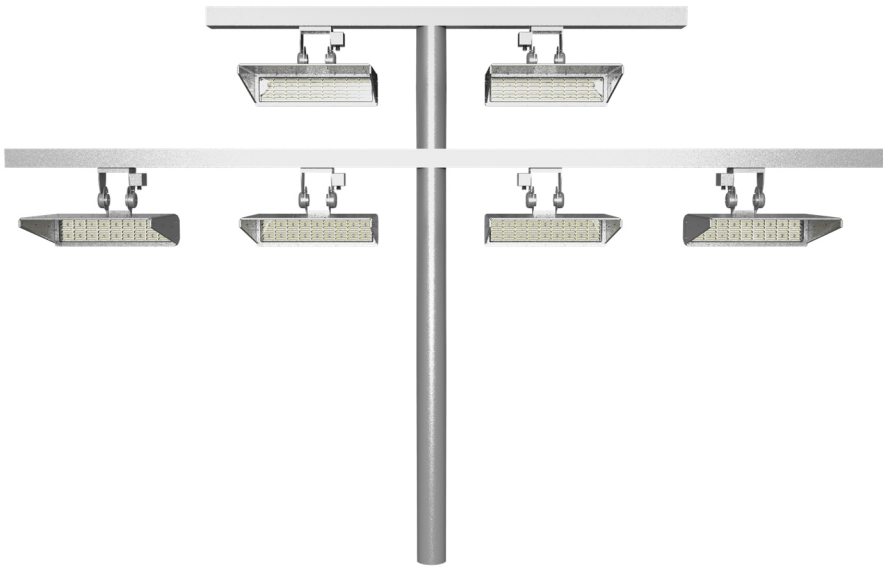
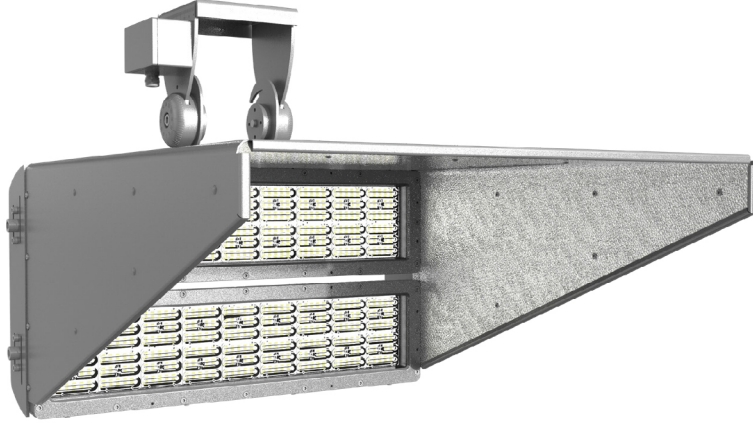




Sports Light - Light Control Series

Integrated or Remote Driver Capable
400W/600W/800W/1200W



WATT	LUMENS
400	54,000
600	81,000
800	108,000
1200	162,000
300RGB	
600RGB	

Project :

Type :

Part#:

IS Sports Light LC Series

Detail Specifications:

- Finish: Die-Cast Aluminum ADC12 - Black or Silver
Grey - Custom request
- Beam Angle: 3H*3V(15D)/7H*4V(35*85D)/4H*3V(20*30D)
/4H*4V(30D)/ 7H*5V(P G30D)/7H*5V(PG60D)
- CCT: 27/30/40/50/5700K
- Chip: Seoul 5050/Seoul Z5M4 3535
- CRI >70/80/90
- Operating Temperature: -40° - 113/122° F
- Lens: PC Lens + Tempered Glass
- EPA: 2.5FT²
- Average life - L90B10 > 100,000 hours

Applications:

- Sports Arenas and Recreational Fields
- Yard, Shipping Port, Agriculture lighting
- High mast
- Outdoor Lighting

Product Information:

- Heavy-duty die-cast aluminum (EN AC-46100) Anti-UV thermosetting polyester/80 micron epoxy primer + Anti-UV thermosetting polyester (for extremely corrosive environments)
- 6 beam angle options available
- Optional Shield
- Instant-On to full brightness

Driver Options:

- UNV: 120-277V 0-10V Dimmable
- HV: 220-480V 0-10V Dimmable
- Built in 20kv Surge Protector Option
- 0-10V/PWM, DALI, DMX512, Nema, Zhaga (Optional)
- Compatible with Synapse Wireless & AVI-ON controls
- THD: <20% (+/-5% tolerance), PF >0.9, 50/60Hz

Mounting & Installations:

- TYPE-A (Top-fixed I)
- TYPE-B (Yoke Mount)
- TYPE-Bx (with Driver Box)
- TYPE-C (Top-Fixed II)
- Remote capable driver up to 70 feet away from the fixture
- See installation guide for more details

Certifications:

- UL/cUL Listed for USA and CA
- IP66 / IK08 according to standard EN 60529 and EN 62262
- 3G Vibration Resistance to standard IEC 68-2-6
- 5/10/25 Year Warranty Options

Sports Light - Light Control Series

ISSLLC Series Ordering Information Sample ISSLLC800-5080-UNV-PG30-TYPE-C-SG

ISSLLC	Watts	CCT & CRI		Voltage		Distribution		Mount		Color	
	400	3070	3000K 70 CRI	UNV	100-277V	15	3H*3V(15D)	TYPE-A	Top Fixed I	SG	Silver Grey
	600	4070	4000K 70 CRI	HV	200-480V	3585	7H*4V(35*85D)	TYPE-B	Yoke Mount	BK	Black
	800	5070	5000K 70 CRI			2030	4H*3V(20*30D)	TYPE-BX	With Driver Box	CR	Custom Request
	1200	5770	5700K 70 CRI			30	4H*4V(30D)	TYPE-C	Top Fixed II		
		3080	3000K 80 CRI			PG30	7H*5V(PG30D)				
		4080	4000K 80 CRI			PG60	7H*5V(PG60D)				
		5080	5000K 80 CRI								
		5780	5700K 80 CRI								
		RGB	70 CRI								

Bracket Options



Type-A
Top Fixed Installation



Type-A
Top Fixed Installation
(Without visor)



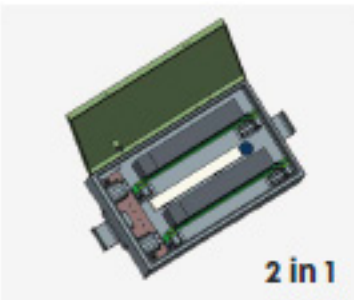
Type-U
Yoke Mount



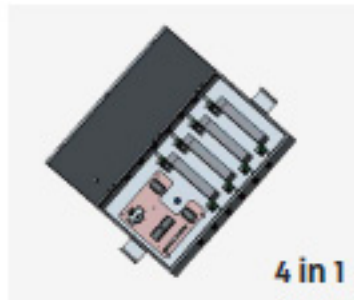
Type-U
Yoke Mount
(Without visor)

Remote Driver Boxes

FEATURES



2 in 1



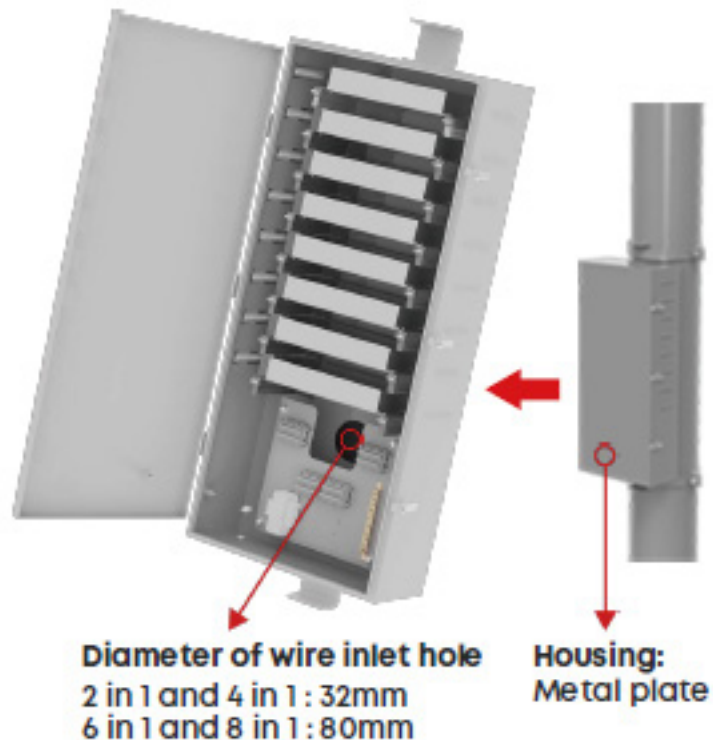
4 in 1



6 in 1

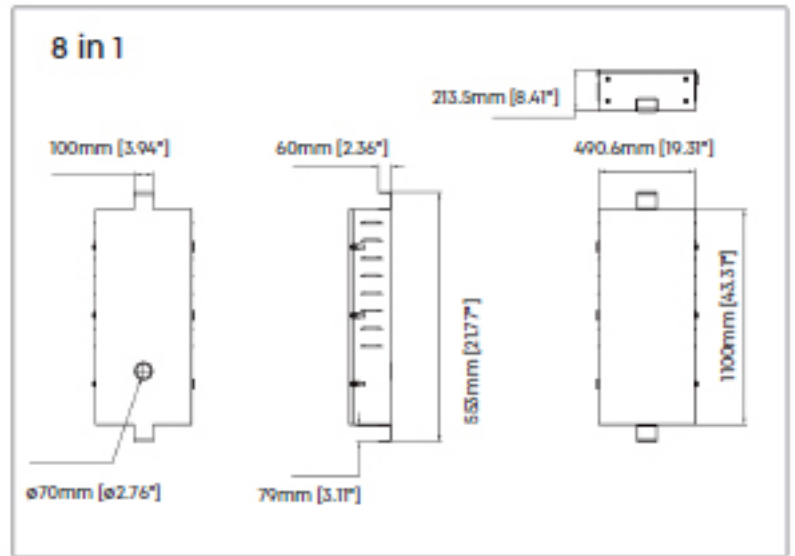
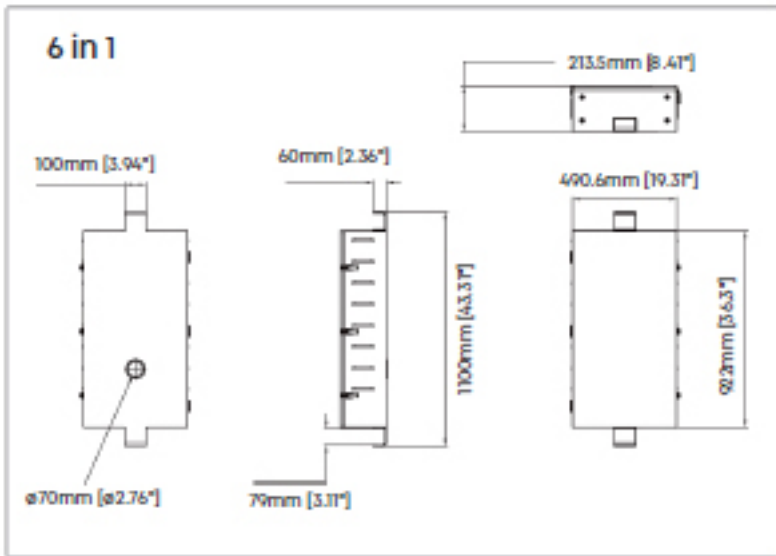
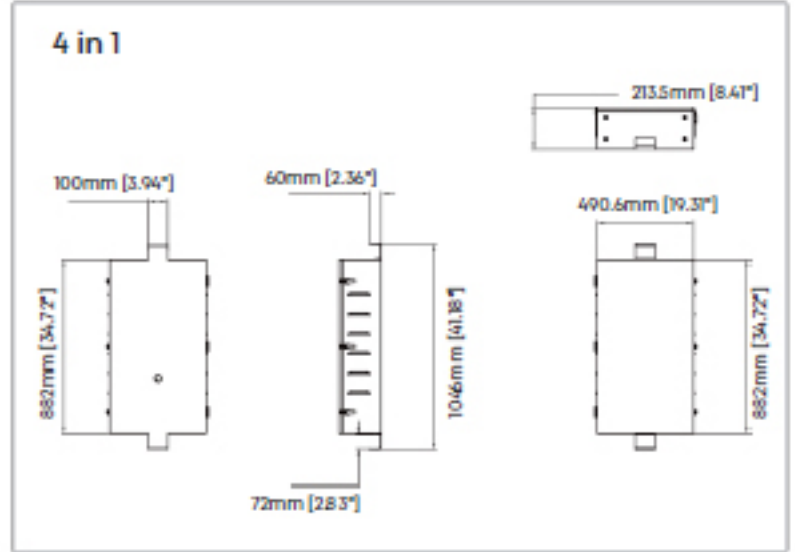
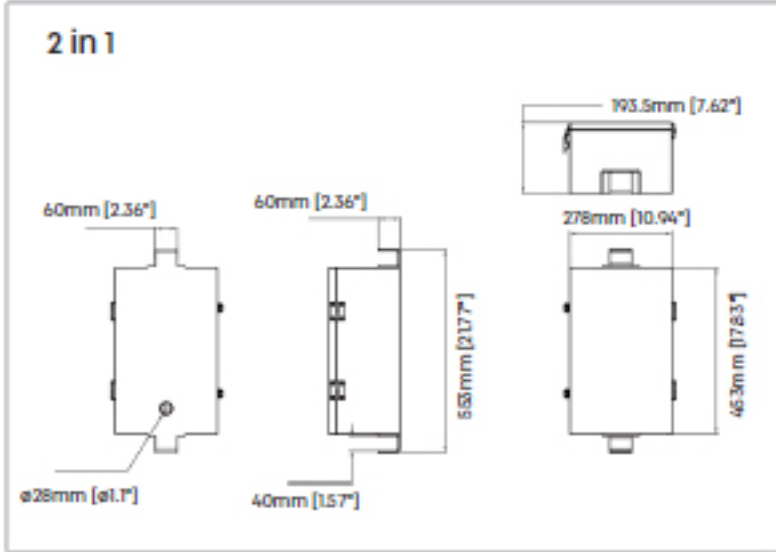


8 in 1

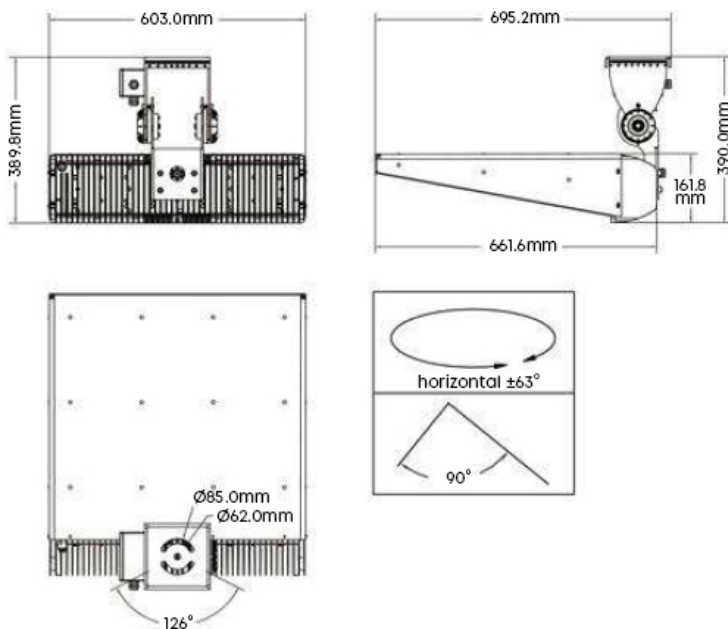


Sports Light - Light Control Series

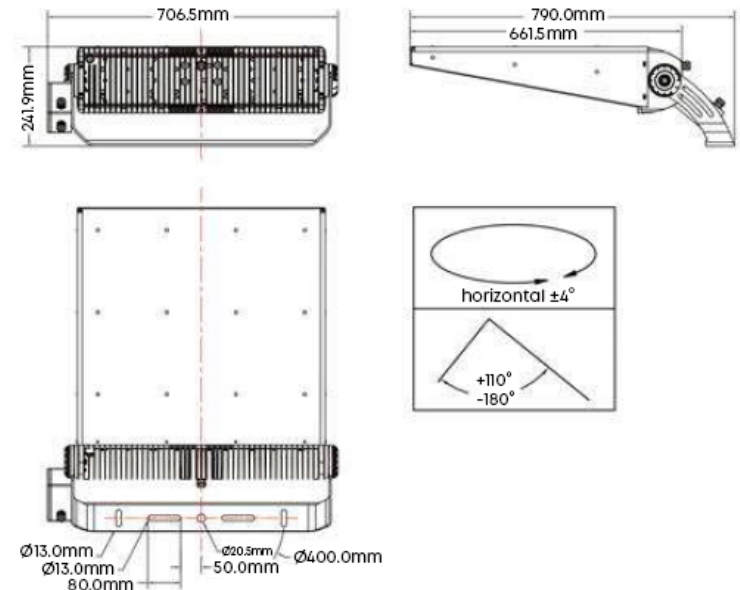
DIMENSIONS



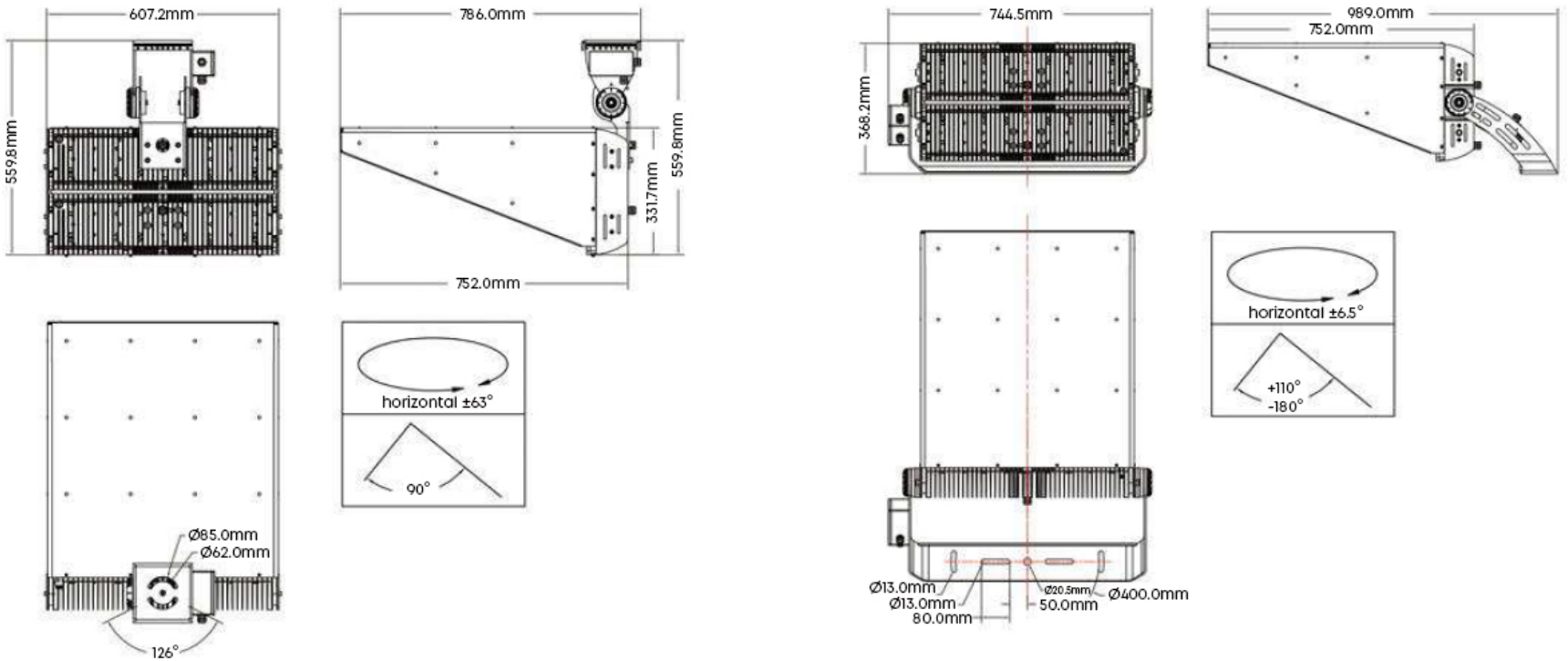
TYPE-A: Top Fixed Installation



TYPE-U: Yoke Mount



Sports Light - Light Control Series



> Photometric Design

- Glare & light pollution
- Light spills out

- Comfortable uniform lighting effect
- No upper light pollution
- Better visual experience

Distribution Design - Without Visor



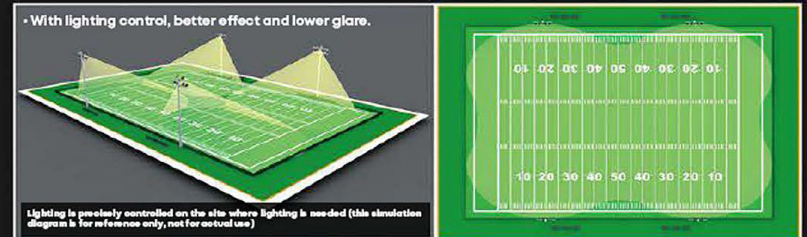
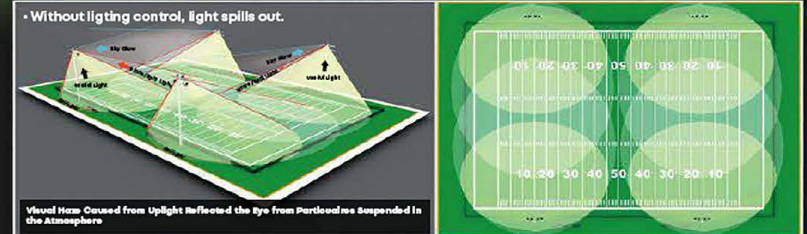
Distribution Design - With Visor



• Glare can cause problems for athletes and nearby residents. Spillover light causes light pollution in the night sky. Solving the problem of reducing light pollution is the primary mission of our product design. While providing a brighter lighting system for the site, we were also concerned about how to reduce the disturbance to the surrounding environment.

* Precise lighting system design of Inergy Solutions Light Control Series, combined with a visor, reduces in-site glare by 40%, spills by more than 50% and saves energy by up to 40% compared to conventional legacy MHL or other non LED lighting systems.

Accurate light distribution design to ensure accurate lighting, Using Seoul (Lumileds or CREE optional) LED chip to ensure the best lighting performance.



Sports Light - Light Control Series

